



Crompton Greaves Consumer
Electricals Ltd.

TECHNICAL DATA SHEET

FORM No. DSG/FR/08

Doc Classification:
Restricted-4

Division:
Lighting

Department: Design
and Development

Document Number: TD 0906197

Revision:00

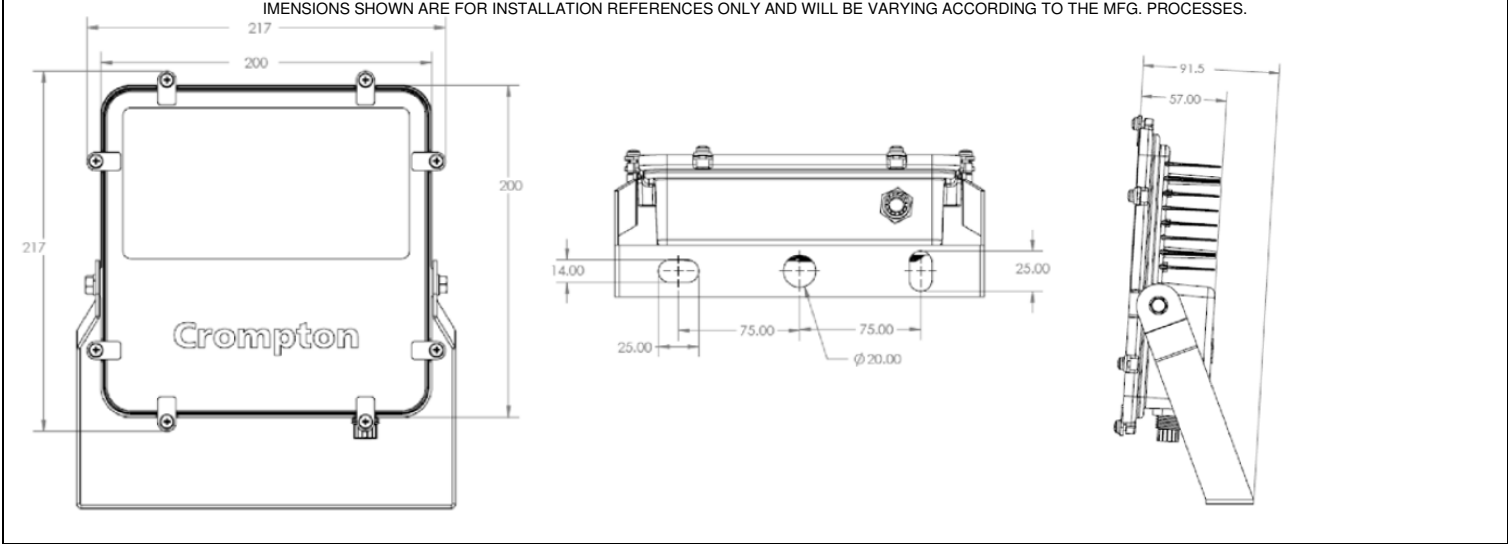
Date:29/09/2020

Page 1 of 3

Issue No. 1

Issue Date:02-05-2018

IMENSIONS SHOWN ARE FOR INSTALLATION REFERENCES ONLY AND WILL BE VARYING ACCORDING TO THE MFG. PROCESSES.



GENERAL:

This floodlight luminaire comprises of die cast Aluminium housing powder coated in black and toughned glass. This luminaire is recommended for illuminating Area lighting, Facade lighting, monument lighting, security lighting etc.

PRODUCT DESCRIPTION	**NOMINAL WATTAGE (W)	CCT (K)	CRI	VOLTAGE (V)	**MAINS CURRENT (A)	*APPROX WT (KG)
CFS-504-50-57-NL-SL-GL-NSG	50W	5700 ANSI	70	240	0.220	1.820
--	--	--	-	--	--	--
--	--	--	--	--	--	--
--	--	--	--	--	-	--
--	--	--	--	--	--	--
--	--	--	--	--	--	--

EFFICACY >110 Lumens/Watt (For 5700 CCT)

*ONLY FOR STRUCTURAL/MOUNTING DESIGN CONSIDERATION

**RATED SYSTEM WATTAGE AND CURRENT WILL HAVE TOLERANCE AS PER IS 16104: 2012

Title: LED FLOODLIGHT 50W	Type:	Customer Reference:
Product Description: CFS-504-50-57-NL-SL-GL-NSG		

PREPARED BY	CHECKED BY	APPROVED BY
--------------------	-------------------	--------------------

- Note: 1 AS EFFORTS ARE ON CONSTANTLY TO IMPROVE THE DESIGN AND METHODS OF MANUFACTURE OF THE PRODUCT, THE PRODUCT SUPPLIED MAY DIFFER IN DETAIL FROM THE DATA GIVEN HERE IN
2. THIS DRAWING & DESIGN IS THE PROPERTY OF CROMPTON GREAVES CONSUMER ELECTRICALS LTD. AND MUST NOT BE COPIED OR LENT WITHOUT THEIR PERMISSION IN WRITING
3. THE "APPROVED" INDICATED THAT IT IS A CONTROL COPY
4. DIMENSION SHOWN ARE FOR INSTALLATION REFERENCE ONLY AND IN MM WITH TOLERANCE OF +/-3mm UNLESS OTHERWISE SPECIFIED



Crompton Greaves Consumer
Electricals Ltd.

TECHNICAL DATA SHEET

FORM No. DSG/FR/08

Doc Classification:
Restricted-4

Division:
Lighting

Department: Design
and Development

Document Number: TD 0906197

Revision:00

Date:29/09/2020

Page 2 of 3

Issue No. 1

Issue Date:02-05-2018

MATERIAL SPECIFICATIONS:

Housing	Aluminium Die cast housing powder coated in RAL-7032 shade
Glass	Heat resistant toughned glass.
Internal Wiring	PVC coated multistrand wire
Cable	3 core PVC coated multistrand cable.
Cradle	M.S. Powder coated in RAL-7032 shade
Glass clip	SS202

ELECTRICAL PARAMETERS:

Rated Voltage (V)	240
Frequency (Hz)	50 ±3
Operating Voltage Range (V)	100 - 300~
Current (A) @ 240V	0.220
Wattage (W) @240V	50W
P.F.	>= 0.95
I THD	< 10%
	--
	--

PREPARED BY

CHECKED BY

APPROVED BY

Note: 1 AS EFFORTS ARE ON CONSTANTLY TO IMPROVE THE DESIGN AND METHODS OF MANUFACTURE OF THE PRODUCT, THE PRODUCT SUPPLIED MAY DIFFER IN DETAIL FROM THE DATA GIVEN HERE IN
2. THIS DRAWING & DESIGN IS THE PROPERTY OF CROMPTON GREAVES CONSUMER ELECTRICALS LTD. AND MUST NOT BE COPIED OR LENT WITHOUT THEIR PERMISSION IN WRITING
3. THE "APPROVED" INDICATED THAT IT IS A CONTROL COPY
4. DIMENSION SHOWN ARE FOR INSTALLATION REFERENCE ONLY AND IN MM WITH TOLERANCE OF +/-3mm UNLESS OTHERWISE SPECIFIED



Crompton Greaves Consumer
Electricals Ltd.

TECHNICAL DATA SHEET

FORM No. DSG/FR/08

Doc Classification:
Restricted-4

Division:
Lighting

Department: Design
and Development

Document Number: TD 0906197

Revision:00

Date:29/09/2020

Page 3 of 3

Issue No. 1

Issue Date:02-05-2018

PRODUCT ORDERING CODE:

Product Description	Ordering Code
CFS-504-50-57-NL-SL-GL-NSG	CLF500162-A2
--	--
--	--
--	--
--	--
--	--

INSTALLATION:

Cable Entry	Through cable gland.
Mounting System	Cradle provided for mounting
Protection	IP 66

SPARES ORDERING REFERENCE:

Product Description	Driver	Glass	
CFS-504-50-57-NL-SL-GL-NSG	S0DVEXC1-50W/700	S0906032	
--	--	--	
--	--	--	
--	--	--	

PREPARED BY

CHECKED BY

APPROVED BY

- Note: 1 AS EFFORTS ARE ON CONSTANTLY TO IMPROVE THE DESIGN AND METHODS OF MANUFACTURE OF THE PRODUCT, THE PRODUCT SUPPLIED MAY DIFFER IN DETAIL FROM THE DATA GIVEN HERE IN
2. THIS DRAWING & DESIGN IS THE PROPERTY OF CROMPTON GREAVES CONSUMER ELECTRICALS LTD. AND MUST NOT BE COPIED OR LENT WITHOUT THEIR PERMISSION IN WRITING
- 3.THE "APPROVED" INDICATED THAT IT IS A CONTROL COPY
4. DIMENSION SHOWN ARE FOR INSTALLATION REFERENCE ONLY AND IN MM WITH TOLERANCE OF +/-3mm UNLESS OTHERWISE SPECIFIED