



Smart Bright Essential – *NEW range in Flood*

Compact and Stylish

Puneet Kalia & Megha Soni
Division Digital Solutions – India
May 2021



Smart Bright Essential Floodlight- *Completely New Range*



BVP101 : 20w & BVP102 : 30w



Product Specifications

Model name	BVP101	BVP102
System Power	20W	30W
System Lumen output	2000 Lm	3000 Lm
CCT/ CRI	6500K/4000K/3000K	& >70
System Efficacy	100lm/w	100lm/w
Surge	4KV (Inbuilt)	4KV (Inbuilt)
Voltage Band	140 - 277V/ 50Hz	140 - 277V/ 50Hz
Power factor	>0.9	>0.9
IP rating/ IK rating	IP65 / IK 07	IP65 / IK 07
Service	Complete Product replacement	



Robust Construction... Ensures Long life

Die Cast Aluminum body

Light ,Durable & Impact resistant

Energy efficient

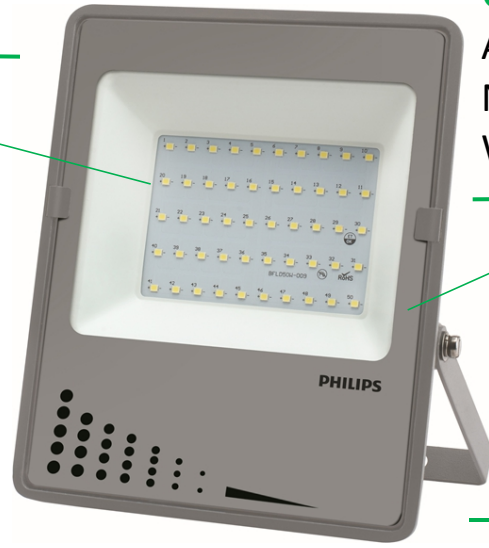
It comes with High Reliable LEDs

Colors Options

Available in Cool White(5700K), Neutral white(4000K) & Warm White(3000K)

Toughened Glass

Ensures uniform lighting Best in aesthetics



- Highly reliable components used in LED Driver for 100% safety and reliability
- The temperature of the components used in the driver within the permissible limits
- Efficiency of Drivers more than 85%



Applications

- Making Urban areas “Safer and friendly ” for Pedestrians
- Landscape lighting
- Parking Area Lighting
- Area Lighting



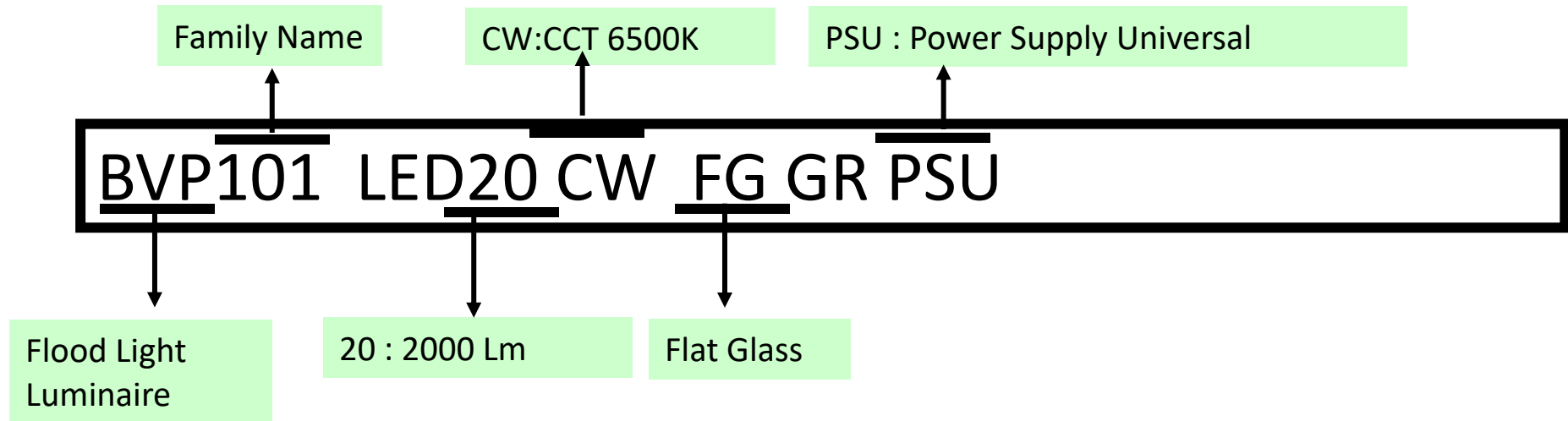
Smart Bright Essential Floodlight- *USP's*

- Point-to-point replacement conventional 35-100W HID or Halogen floodlights
- Instant light, long lifetime 25khrs L70B50 @ Ta 35deg
- **Reliable Quality:** Die-casting Aluminum housing guarantees robustness, vibration-proof, wind force protection, and IP65 protection.
- Symmetrical Wide Beam Distribution



Ordering Codes

S No.	12 NC	Description
1	919415920088	BVP101 LED20 CW FG GR PSU
2	919415920089	BVP101 LED20 NW FG GR PSU
3	919415920090	BVP101 LED20 WW FG GR PSU
4	919415920091	BVP102 LED30 CW FG GR PSU
5	919415920092	BVP102 LED30 NW FG GR PSU
6	919415920093	BVP102 LED30 WW FG GR PSU



Packaging Details



Signify