

DURABAY Highbay

Sisesh Behuray/Yogesh Ganjewar
June 2018



PHILIPS

Contents

- Product Specifications
- Product Features and Benefits
- Product Photometry
- Product Benchmarking
- Application Areas
- Product Designation
- Product Ordering Information
- Mounting Instruction

Efficient lighting leads to a brighter future



125
Lm / W



Features :

- **Best energy-efficiency** : System efficacy of **125 lm/W**, 1:1 replacement of 250W/400w HPI BU Lamp
- **Comfortable light**: CRI of 80 for ensures better color rendering
- **Optimal lighting effects**: new light platform & optical design reduce 20% glare
- **Robust & Reliable**: IP66 & IK 08 protection and 50K hours system life time
- **Wider Industry Application**: Available with NB and WB optics and suited for ambient temperature upto 45 deg C
- **Reduced Weight**: Max 6 kg

PHILIPS

Specifications

S No.	Description	BY 325- 10K	BY 325- 13K	BY 325- 16K	BY 325- 19.5K
1	System Lumen	10300	13500	16500	19500
2	CCT	6500K / 4000K	6500K / 4000K	6500K /4000k	6500K / 4000K
3	CRI	Greater than 80	Greater than 80	Greater than 80	Greater than 80
4	SDCM	< 5	< 5	< 5	< 5
5	IP	66	66	66	66
6	IK	08	08	08	08
7	Mounting	Eyebolt –For suspended mounting	Eyebolt – For suspended mounting	Eyebolt – For suspended mounting	Eyebolt – For suspended mounting
8	Efficacy	125 Lm/W- 130lm/w	125 Lm/W- 130lm/w	125 Lm/W -130 lm/w	125 Lm/W- 130lm/w
9	Surge	4KV	4KV	4KV	4KV
10	Life	L70B50@ 50K Hrs.	L70B50@ 50K Hrs.	L70B50@ 50K Hrs.	L70B50@ 50K Hrs.
11	Driver	Fixed output/Dali	Fixed output/Dali	Fixed output/Dali	Fixed output/Dali
12	LED	SMD	SMD	SMD	SMD
13	Housing	Pressure Die Cast Housing	Pressure Die Cast Housing	Pressure Die Cast Housing	Pressure Die Cast Housing
14	THD	≤10%	≤10%	≤10%	≤10%
15	Serviceability	Class B	Class B	Class B	Class B
16	Optical Covers	Glass & Polycarbonate	Glass & Polycarbonate	Glass & Polycarbonate	Glass & Polycarbonate
17	Wattage	80W	105W	132W	157W
18	LILLO	YES	YES	YES	YES
19	Additional SPD	Available on Demand (ETO)	Available on Demand (ETO)	Available on Demand (ETO)	Available on Demand (ETO)
20	Optics	NB/WB	NB/WB	NB /WB	NB/WB

Features and benefits



Reliable Savings, lasting brightness
High performance in a robust and compact design

Use with peace of mind

- Wide range of lumen output in same type of housing.
- 4KV inbuild Surge Protection/ 10KV available on Request
- IK08 classification
- IP66 certified
- Efficacy : 125 Lm/w
- CRI<80
- Point to point replacement for a HPI 250W/400w Highbay

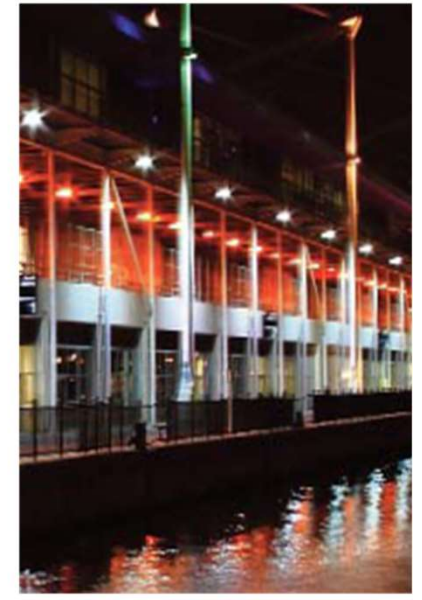
Long-lasting performance

- Designed for energy savings of up to 75% compared with conventional lighting
 - L70 50k hours*
- *Designed to sustain 70% of initial lumen output (L70) at 50,000 hours of lifetime*

High-quality materials and design

- Toughened and shatter-proof quality glass enhances safety
- Pressure die-cast housing offers excellent corrosion-resistance and robustness

Product Specification Sheet



Endura LED Highbay BYP325

Comfortable light

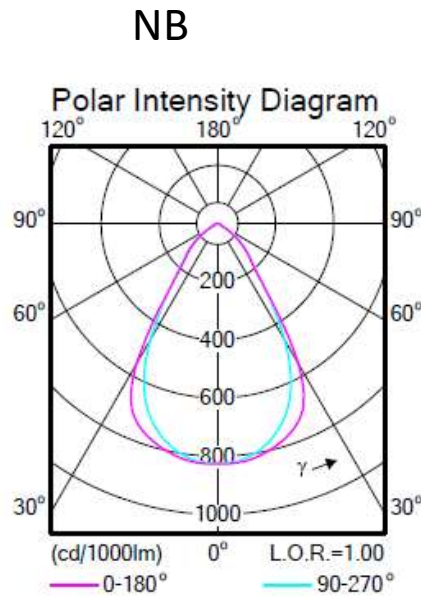


**HPI 250W
CRI<70**

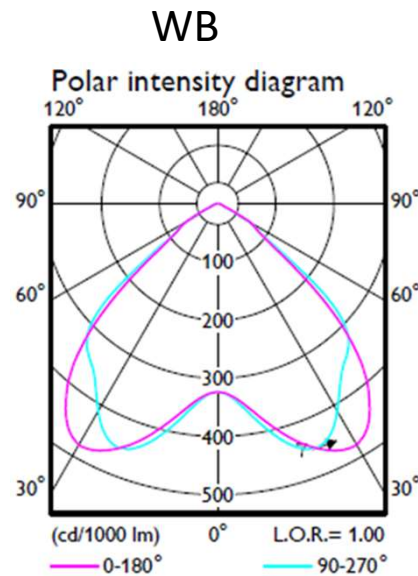
**BY325P 80W
CRI>80**

Optimal lighting effects

- New designed optic module allows $UGR < 25$
- Two beam angle, WB, NB



- Narrow beam
- FWHM 60°
- rotational symmetry
- centralized beam fit for high ceiling



- Wide beam
- FWHM 110°
- rotational symmetry
- fit for low ceiling and general lighting



What does this product compare with?

Best Energy Efficiency

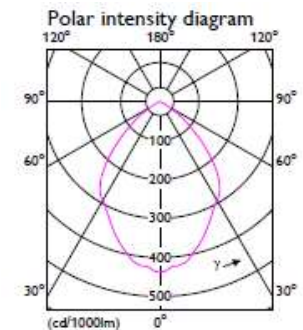
Parameter	250W HPI BU High Bay-Market	Endura LED Highbay
Lamp wattage	HPI BU 250W	132W LED System
Lamp lumen output	20000	
Luminaire efficiency	.70	
Effective lumen output	14000	16500
System wattage	277W	132
Savings		~145W Per point
		>50% Per point

Savings > 55% against the conventional Highbay on EM (SON) Gear

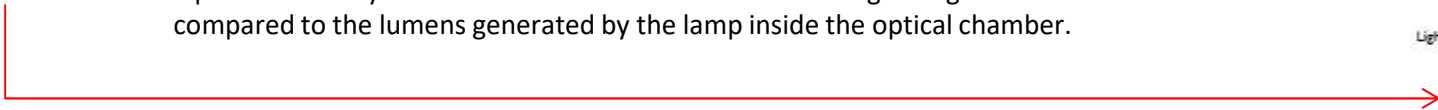


Downward Light Output Ratio = DLOR

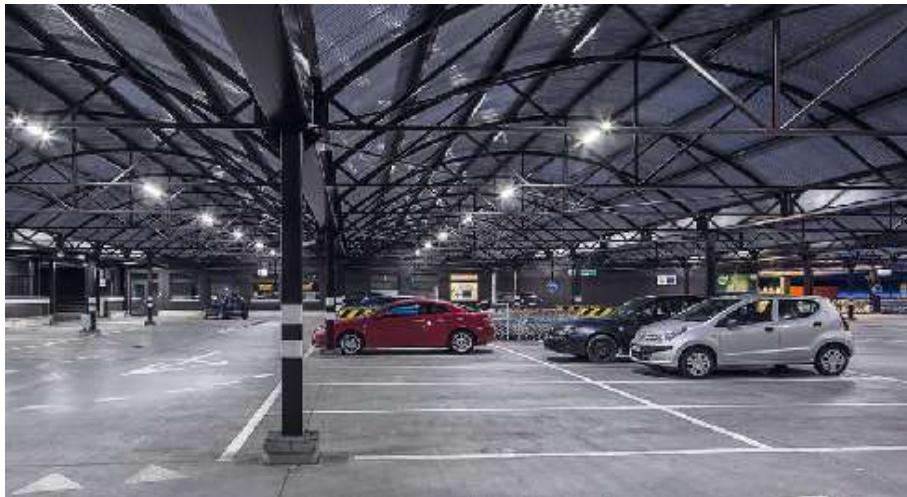
= Optical efficiency of the conventional luminaire in throwing the light downward compared to the lumens generated by the lamp inside the optical chamber.



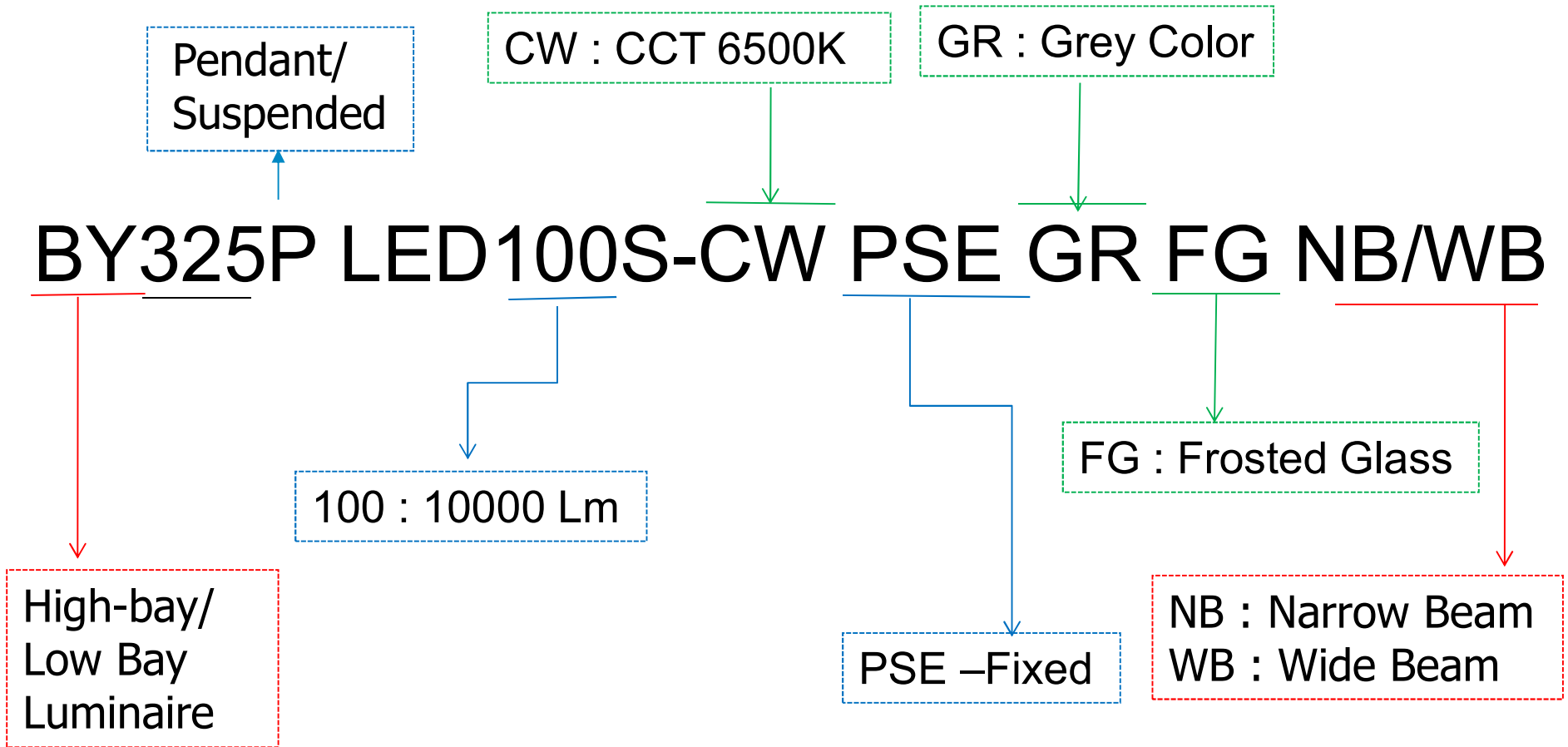
Light output ratio 0.65
 Service upward 0.00
 Service downward 0.65



Versatile Application areas



PHILIPS



How to read the Cat ref

Ordering Codes

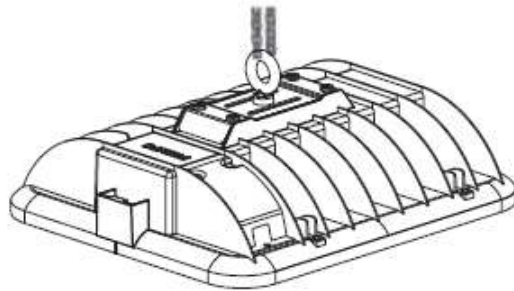
Sr	Mounting Type	12 NC	Item Description	Qty Per Box	Spare Driver 12 NC
1	Endura LED Highbay	9195 158 12635	BY325P LED100S CW PSU GR FG NB XTFCL V1	1	9290 014 68806
2	Endura LED Highbay	9195 158 12636	BY325P LED100S CW PSU GR FG WB XTFCL V1	1	9290 014 68806
3	Endura LED Highbay	9195 158 12637	BY325P LED130S CW PSU GR FG NB XTFCL V1	1	9193 154 16916
4	Endura LED Highbay	9195 158 12638	BY325P LED130S CW PSU GR FG WB XTFCL V1	1	9193 154 16916
5	Endura LED Highbay	9195 158 12639	BY325P LED160S CW PSU GR FG NB XTFCL V1	1	9290 014 67306
6	Endura LED Highbay	9195 158 12640	BY325P LED160S CW PSU GR FG WB XTFCL V1	1	9290 014 67306
7	Endura LED Highbay	9195 158 12641	BY325P LED195S CW PSU GR FG NB XTFCL V1	1	9290 014 67306
8	Endura LED Highbay	9195 158 12642	BY325P LED195S CW PSU GR FG WB XTFCL V1	1	9290 014 67306

Mounting Instructions

LED HIGHBAY

Installation Instruction

Philips
Lighting



TYPE	: BY325P
LAMP	: LED
VOLTAGE	: 240 V, 50 Hz
IP CLASSIFICATION	: IP 65
NET WEIGHT	: 5.5 Kg.
MAX. PROJECTED AREA	: 0.1 m ²
CCT	: 6500 K
APPLICATION	: LED HIGHBAY

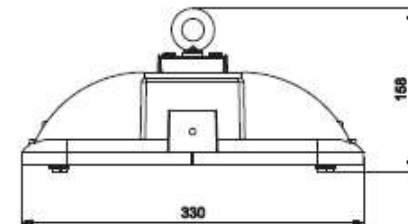
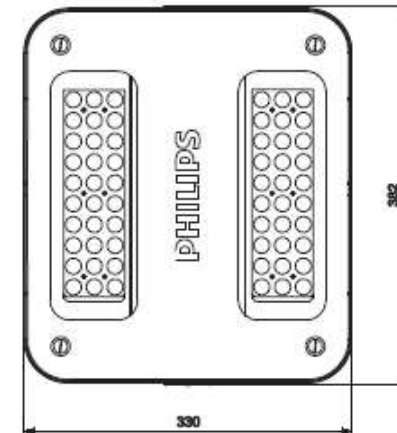
IP-65

Ta-45



Dimensions

Indoor Luminaire



PHILIPS

