



Crompton Greaves Consumer
Electricals Ltd.

TECHNICAL DATA SHEET

FORM No. DSG/FR/08

Doc Classification:
Restricted-4

Division:
Lighting

Department: Design
and Development

Document Number: CTD 0918001

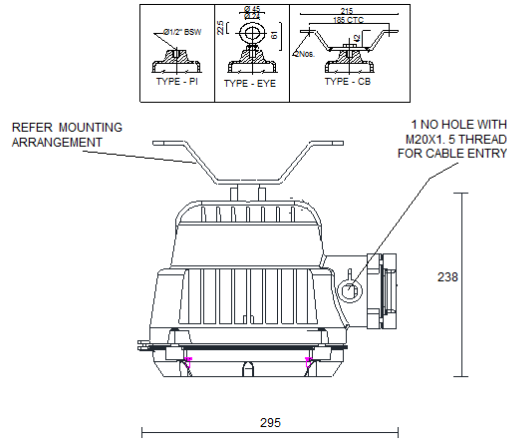
Page 1 of 3

Revision: R00

Issue No. 1

Date : 11/05/2021

Issue Date:02-05-2018



DIMENSIONS SHOWN ARE FOR INSTALLATION REFERENCES ONLY AND WILL HAVE TOLERANCE $\pm 3\text{mm}$ UNLESS OTHERWISE SPECIFIED

GENERAL:

Flameproof Integral LED Well Glass luminaire comprises of die cast aluminium housing, with toughened glass is cemented in to a retaining ring . This luminaire is recommended for illuminating Hazardous Area Gas group IIA and IIB and Zone 1 & 2.

PRODUCT DESCRIPTION	**NOMINAL WATTAGE (W)	CCT (K)	CRI	VOLTAGE (V)	**MAINS CURRENT (A)	*APPROX WT (KG)
FWL1315-40-CDL	40	5700 ANSI	80	240	0.175	5.7

*ONLY FOR STRUCTURAL/MOUNTING DESIGN CONSIDERATION

**RATED SYSTEM WATTAGE AND CURRENT WILL HAVE TOLERANCE AS PER IS 16104: 2012

Title: LED FLP WELL GLASS	Type: Flameproof	Customer Reference:
Product Description:		

PREPARED BY riteshkumar.doshi	CHECKED BY -	APPROVED BY -
---	------------------------	-------------------------

Note: 1 AS EFFORTS ARE ON CONSTANTLY TO IMPROVE THE DESIGN AND METHODS OF MANUFACTURE OF THE PRODUCT, THE PRODUCT SUPPLIED MAY DIFFER IN DETAIL FROM THE DATA GIVEN HERE IN
 2. THIS DRAWING & DESIGN IS THE PROPERTY OF CROMPTON GREAVES CONSUMER ELECTRICALS LTD. AND MUST NOT BE COPIED OR LENT WITHOUT THEIR PERMISSION IN WRITING
 3. THE "APPROVED" INDICATED THAT IT IS A CONTROL COPY
 4. DIMENSION SHOWN ARE FOR INSTALLATION REFERENCE ONLY AND IN MM WITH TOLERANCE OF $\pm 3\text{mm}$ UNLESS OTHERWISE SPECIFIED



Crompton Greaves Consumer
Electricals Ltd.

TECHNICAL DATA SHEET

FORM No. DSG/FR/08

Doc Classification:
Restricted-4

Division:
Lighting

Department: Design
and Development

Document Number: CTD 0918001

Revision: R00

Date : 11/05/2021

Page 2 of 3

Issue No. 1

Issue Date:02-05-2018

MATERIAL SPECIFICATIONS:

Housing	Die cast Aluminium Hammertone Graphite Grey finish from outside
Ring	Die cast Aluminium Hammertone Graphite Grey finish
Glass	Toughened and Heat resistance flat Glass
Mains Terminal	LILO Connector
Hardware	SS
Earthing	1 No. internal and 2 Nos. external screw of size M6x12mm screw with washer
Surge Arrestor	1 No. 5KV
Gas Group	Group IIA & IIB
Conforming to Standard	IS/IEC 60079-1-2007,IS/IEC60529-2001
CIMFR Certificate No	CIMFR/TC/P/H13

ELECTRICAL PARAMETERS:

Rated Voltage (V)	240
Frequency (Hz)	50
Operating Voltage Range (V)	140-270
Current (A) @ 240V	0.175
Wattage (W) @240V	40
P.F.	> 0.9
I THD	10%
Lumen	EFFICACY > 95 Lumens/Watt (For 5700 CCT)

PREPARED BY
riteshkumar.doshi

CHECKED BY
-

APPROVED BY
-

- Note: 1 AS EFFORTS ARE ON CONSTANTLY TO IMPROVE THE DESIGN AND METHODS OF MANUFACTURE OF THE PRODUCT, THE PRODUCT SUPPLIED MAY DIFFER IN DETAIL FROM THE DATA GIVEN HERE IN
2. THIS DRAWING & DESIGN IS THE PROPERTY OF CROMPTON GREAVES CONSUMER ELECTRICALS LTD. AND MUST NOT BE COPIED OR LENT WITHOUT THEIR PERMISSION IN WRITING
- 3.THE "APPROVED" INDICATED THAT IT IS A CONTROL COPY
4. DIMENSION SHOWN ARE FOR INSTALLATION REFERENCE ONLY AND IN MM WITH TOLERANCE OF +/-3mm UNLESS OTHERWISE SPECIFIED



Crompton Greaves Consumer
Electricals Ltd.

TECHNICAL DATA SHEET

FORM No. DSG/FR/08

Doc Classification:
Restricted-4

Division:
Lighting

Department: Design
and Development

Document Number: CTD 0918001

Revision: R00

Date : 11/05/2021

Page 3 of 3

Issue No. 1

Issue Date:02-05-2018

INSTALLATION:

Cable Entry	2 Nos of hole with M20X1.5 threads covered with temporary PVC plug provided
Mounting System	M.S ceiling bracket is provided as standard
Degree of Protection	EX 'd' & IP65
Area Of Classification	Zone 1 & 2

PRODUCT ORDERING CODE:

Product Description	Ordering Code
FWL1315-40-CDL	LI301704-D2
Cable Gland need to order Separately Cat ref - FG001	

NON-STANDARD FEATURE:

Loop in Loop out – 2 Side cable entry

SPARES ORDERING REFERENCE:

Product Description	Driver	Surge Arrestor	Glass with Ring
FWL1315-40-CDL	S0DVEL-35-970-40W	SRPSN-5K-440	FPGL02

PREPARED BY
riteshkumar.doshi

CHECKED BY
-

APPROVED BY
-

- Note: 1 AS EFFORTS ARE ON CONSTANTLY TO IMPROVE THE DESIGN AND METHODS OF MANUFACTURE OF THE PRODUCT, THE PRODUCT SUPPLIED MAY DIFFER IN DETAIL FROM THE DATA GIVEN HERE IN
2. THIS DRAWING & DESIGN IS THE PROPERTY OF CROMPTON GREAVES CONSUMER ELECTRICALS LTD. AND MUST NOT BE COPIED OR LENT WITHOUT THEIR PERMISSION IN WRITING
- 3.THE "APPROVED" INDICATED THAT IT IS A CONTROL COPY
4. DIMENSION SHOWN ARE FOR INSTALLATION REFERENCE ONLY AND IN MM WITH TOLERANCE OF +/-3mm UNLESS OTHERWISE SPECIFIED