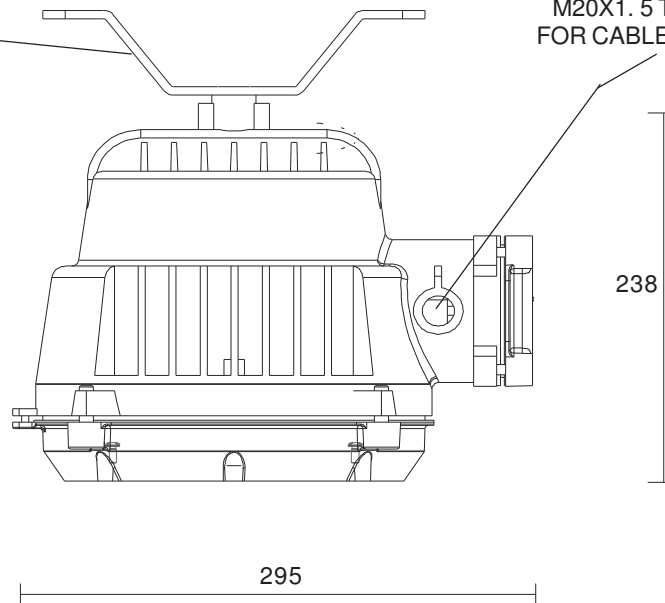


REFER MOUNTING
ARRANGEMENT

1 NO HOLE WITH
M20X1.5 THREAD
FOR CABLE ENTRY



DIMENSIONS SHOWN ARE FOR INSTALLATION REFERENCES ONLY AND WILL BE VARYING ACCORDING TO THE MFG. PROCESSES.

GENERAL

Flameproof Integral LED Well Glass luminaire is suitable for 40W. The toughened clear heat resistant glass is cemented into a retaining ring which is fixed by means of screws to the main housing. This luminaire is recommended for illuminating hazardous areas with gases/vapours of Group IIA & IIB and Zone 1 & 2.

Degree of Protection	:	Ex `d` & IP 65
Area Of Classification	:	Zone 1 & 2
Gas Group	:	Group IIA & IIB
Conforming to Standard	:	IS/IEC 60079-1-2007, IS/IEC 60529-2001
CMRS Certificate No.	:	CIMFR/TC/P/H13
Approvals	:	CIMFR

Title Flameproof / Weatherproof LED Well Glass Fitting	Type FWL 1315-40-CDL	CUSTOMER REFERENCE :
	AMD No. : ALL DIMENSIONS ARE IN MM	
AS EFFORTS ARE ON CONSTANTLY TO IMPROVE THE DESIGN AND METHODS OF MANUFACTURE OF THE PRODUCT, THE PRODUCT SUPPLIED MAY DIFFER IN DETAIL FROM THE DATA GIVEN HERE IN.	THIS DRAWING & DESIGN IS THE PROPERTY OF CROMPTON GREAVES LTD. AND MUST NOT BE COPIED OR LENT WITHOUT THEIR PERMISSION IN WRITING.	DRG NO. TD 0918001

SHEET 2 # 2**DOCUMENT No. D / PD - 05****REV 05 DATE : 25/09/2017**

CAT. REF.	SYSTEM WATTAGE	VOLTAGE (V)	MAINS CURRENT(A)	*APPROX. WT(Kg)
FWL1315-40-CDL	40W	240	0.178	5.7

** RATED SYSTEM WATTAGE AND CURRENT WILL HAVE TOLERANCE $\pm 10\%$

MATERIAL SPECIFICATION

1. Housing Cast Aluminium alloy LM6 in Hammertone grey finish from out side.
2. Ring Cast Aluminium alloy LM6 in Hammertone grey finish from out side.
3. Glass Toughened and Heat resistant.
4. Hinging `J` type M.S. hook, clear Zinc passivated.
5. HardWare M.S. Zinc plated & passivated internal and external. S.S. (HTS) for FLP joints.

ELECTRICAL PARAMETERS

Rated Voltage (V)	:	240
Frequency (Hz)	:	50
Operating Voltage Range(V)	:	150 - 270~
Current (A) @ 240V	:	0.178
Wattage (W) @ 240V	:	40W
PF	:	≥ 0.90

INSTALLATION

1. Cable Entry 1Nos. of hole with M20X1.5 threads covered with temporary PVC plug provided.
2. Mounting System M.S. ceiling bracket is provided as standard.
3. Protection Ex `d` & IP 65

SPARES ORDERING REFERENCE

CAT. REF.	Driver	Surge Arestor	Glass with Ring
FWL1315-40-CDL	S0DRVQL-35-970-40W	SRPS-5K-440	FPGL02

AS EFFORTS ARE ON CONSTANTLY TO IMPROVE THE DESIGN AND METHODS OF MANUFACTURE OF THE PRODUCT, THE PRODUCT SUPPLIED MAY DIFFER IN DETAIL FROM THE DATA GIVEN HERE IN.

THIS DRAWING & DESIGN IS THE PROPERTY OF CROMPTON GREAVES LTD. AND MUST NOT BE COPIED OR LENT WITHOUT THEIR PERMISSION IN WRITING.

DRG NO.

TD 0918001