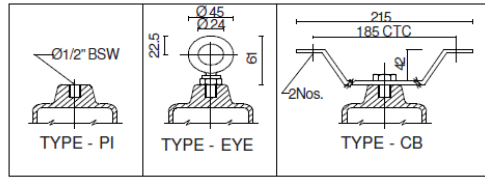


SHEET 1 # 2

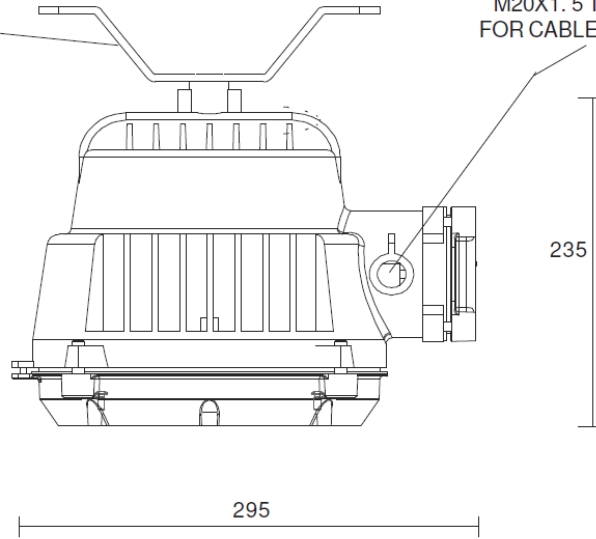
DOCUMENT No. D / PD - 05

REV 00 DATE : 15/05/2018



REFER MOUNTING ARRANGEMENT

1 NO HOLE WITH M20X1.5 THREAD FOR CABLE ENTRY



DIMENSIONS SHOWN ARE FOR INSTALLATION REFERENCES ONLY AND WILL BE VARYING ACCORDING TO THE MFG. PROCESSES.

## GENERAL

Flameproof Integral LED Well Glass luminaire comprises of die cast aluminium housing, with toughened glass is cemented in to a retaining ring . This luminaire is recommended for illuminating Hazardous Area Gas group IIA and IIB and Zone 1 & 2.

CAT. REF.	** SYSTEM WATTAGE (W)	CCT (°K)	VOLTAGE (V)	** MAINS CURRENT (A)	*APPROX WT(Kg)
FWL1315-60-CDL	60	5700 ANSI	240	0.265	5.7

\* ONLY FOR STRUCTURAL/MOUNTING DESIGN CONSIDERATION.  
 \*\* RATED SYSTEM WATTAGE AND CURRENT WILL HAVE TOLERANCE AS PER IS 15885

Title <b>LED FLP WELL GLASS</b>	Type <b>FWL1315 SERIES</b>	CUSTOMER REFERENCE :
	AMD No. : ALL DIMENSIONS ARE IN MM	
AS EFFORTS ARE ON CONSTANTLY TO IMPROVE THE DESIGN AND METHODS OF MANUFACTURE OF THE PRODUCT, THE PRODUCT SUPPLIED MAY DIFFER IN DETAIL FROM THE DATA GIVEN HERE IN.	THIS DRAWING & DESIGN IS THE PROPERTY OF CROMPTON GREAVES CONSUMER ELECTRICALS LTD. AND MUST NOT BE COPIED OR LENT WITHOUT THEIR PERMISSION IN WRITING.	DRG NO. <b>TD 0918014</b>

SHEET 2 # 2

DOCUMENT No. D / PD - 05

REV 01 DATE : 12/01/2018

**FLP SPECIFICATION**

Degree of Protection	EX 'd' & IP65
Area Of Classification	Zone 1 & 2
Gas Group	Group IIA & IIB
Conforming to Standard	IS/IEC 60079-1-2007,IS/IEC60529-2001
CIMFR Certificate No	CIMFR/TC/P/H13
Approval	CIMFR , BIS

**MATERIAL SPECIFICATION**

1. Housing	Die cast Aluminium Hemmer ton Grey finish from outside
2. Ring	Die cast Aluminium Hemmer ton Grey finish
3. Glass	Toughened and Heat resistance flat Glass.
4. Mains Terminal	2 way 15 A, Suitable for terminating up to max. 6.0 sq. mm incoming cable.
5. Hardware	SS.
6. Earthing	1 No. internal and 2 Nos. external screw of size M6x12mm screw with washer.
7. Surge Arrestor	1 No. 5KV.

**ELECTRICAL PARAMETERS**

Rated Voltage (V)	:	240
Frequency (Hz)	:	50
Operating Voltage Range (V)	:	120 – 270 ~
Current (A) @ 240V	:	0.265
Wattage (W) @ 240V	:	60
P.F.	:	≥ 0.9

**INSTALLATION**

1. Cable Entry 1 Nos of hole with M20X1.5 threads covered with temporary PVC plug provided
2. Mounting System M.S ceiling bracket is provided as standard
3. Note : Should order Cable gland separately one no for each fitting cat ref 'FG001'

**SPARES ORDERING REFERENCE**

CAT. REF.	Driver	Surge Arrestor	Glass with Ring
FWL1315-60-CDL	DRVP 75W/700(440)	SRPS-5K-440	FPGL1340

AS EFFORTS ARE ON CONSTANTLY TO IMPROVE THE DESIGN AND METHODS OF MANUFACTURE OF THE PRODUCT, THE PRODUCT SUPPLIED MAY DIFFER IN DETAIL FROM THE DATA GIVEN HERE IN.

THIS DRAWING & DESIGN IS THE PROPERTY OF CROMPTON GREAVES CONSUMER ELECTRICALS LTD. AND MUST NOT BE COPIED OR LENT WITHOUT THEIR PERMISSION IN WRITING.

DRG NO.

**TD 0918014**