

CoreLine Panel 2018

Coreline Power

Munish Peshin & Sishesh Behuray

Professional Lighting India

March 2018



PHILIPS

Contents

- Product Objective
- Product Specifications
- Product Applications
- Product Designation
- Product Ordering Data
- Installation Instructions

Product Objective

- To design and provide a LED solution for replacement of 2X36PLL & 4X14W T5 conventional troffer.
- To provide right lights in offices in order to create a pleasant working environment, pleasant mood, increase productivity.
- To reduce energy cost, maintenance costs and operating costs and create a strong TCO story

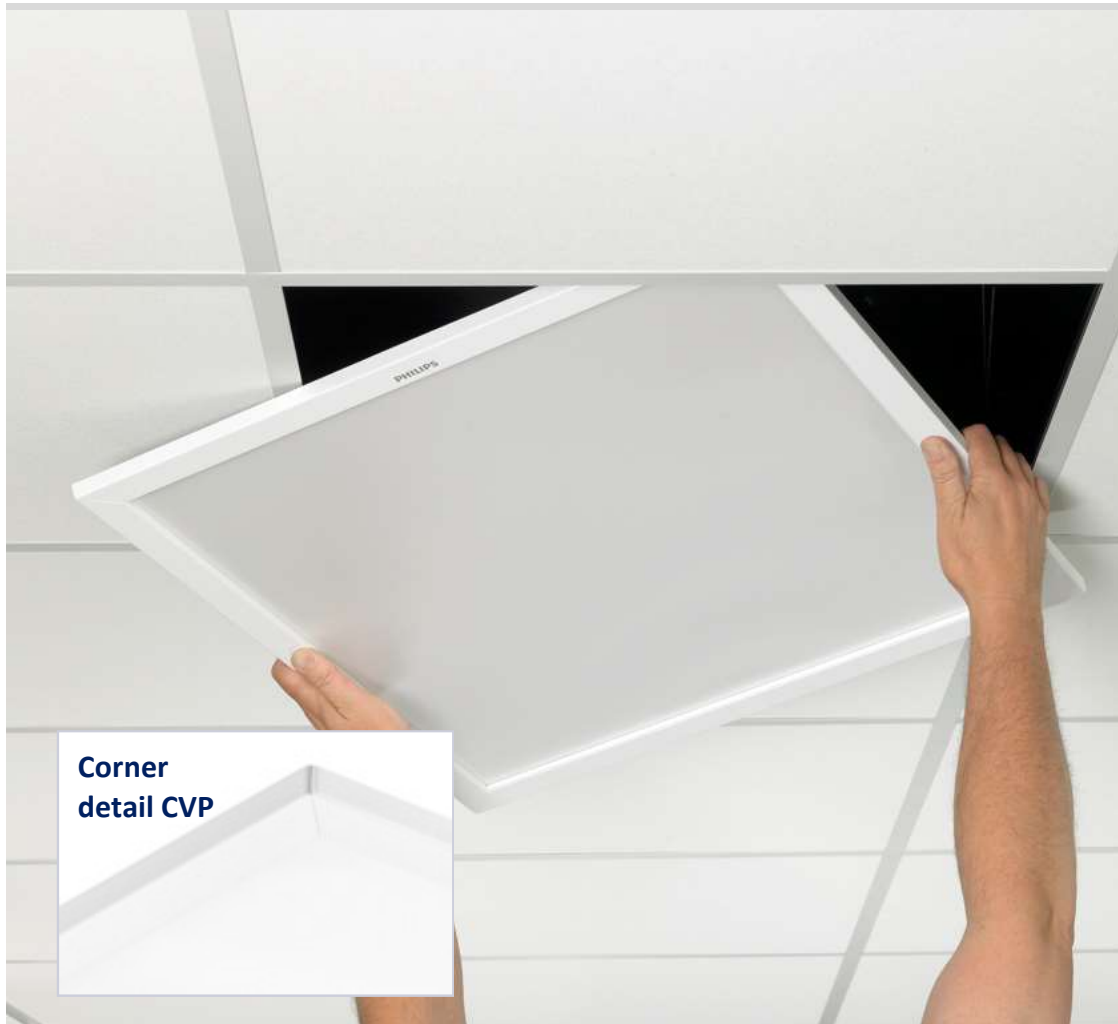
Coreline 2018

Soothing light , Cleaner Ceiling and Multiple options to choose from

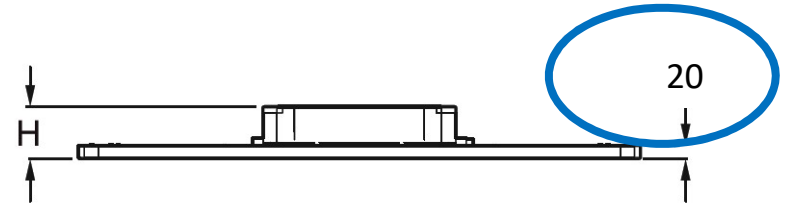


- Can be Grid ceiling and Plaster Ceilings and Surface*
- 2 Color Temperatures
- 20 mm height w/o driver

Attractively shaped

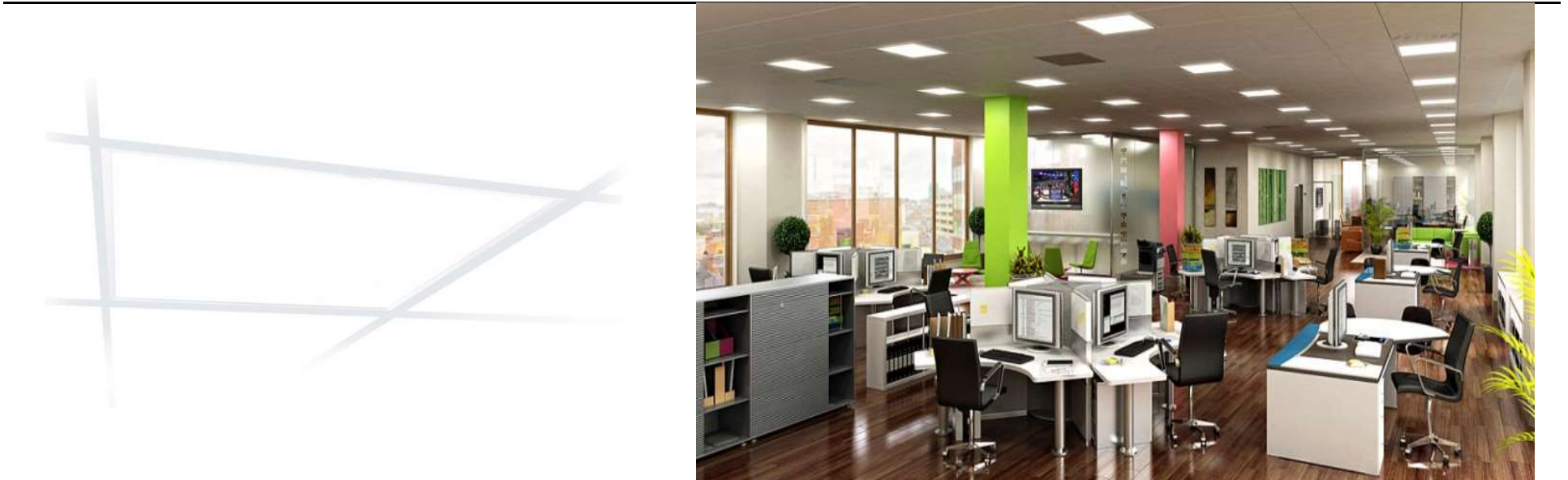


- Extremely slim design; 20 mm height
- Easy to install
- 600 mm module size



CoreLine Panel-

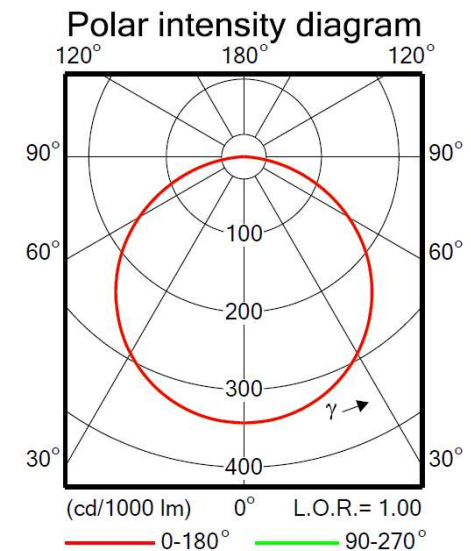
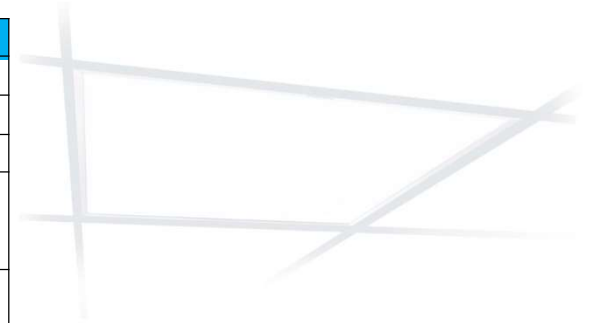
Soothing light , Cleaner Ceiling



- Delivers comfortable light- Edge light panel delivers uniform and soft light
- More than 40 % savings on energy bill as compared to conventional solutions
- Slim, nicely shaped surface of light
- Surface lighting solution with no flicker yet high uniformity provides comfort modern lighting experience
- Ultra slim design
- Performance and reliability – CRI >80 , SDCM 5 ,

Coreline 2018 : Product Specifications

Coreline 2018	
Type	Coreline Power
Model	2ft x 2ft / 3000lm
Application	Indoor office / public indoor space
Mounting type	T-bar / mounting on mortally flammable surfaces / not suitable for covering with thermally insulating material
Ceiling Thickness	for thickness 8-16mm ceiling, cut-out 570x570(±2)mm
Length(mm)	597 X 597
Height(mm)	20
surface color	RAL9016
Power(w)	37w
Input Voltage(v)	140-300
Frequency(Hz)	50
PF	>0.9
Luminous Efficacy(lm/w)	80
Luminous Flux(lm)	3000
Color Temperature(k)	4000K/6500K
Ra	80
SDCM	<5
Electrical Classification	class 2
SPD (differential-mode and common-mode)	2kV
THD(%)	<30%
IP Level	IP20
Lifeclass L70B50 @ 25 degree ambient	25000 Hrs
Operating Temperature (°C)	0°C~45°C
Design Standard (Safety)	IEC60598/IEC62471/IEC62493, IEC/TR 62778
Design Standard (EMC)	CISPR 15/IEC 55015/EN55015/GB 17743, IEC 61547/EN61547/GBT 18595, IEC/EN61000-3-2, IEC/EN61000-3-3
Protection	short / overheat



Coreline 2018

- Office
- Corridors & circulation areas
- Retail
- Healthcare
- Hospitality



Focus on general illumination applications



Office general areas

- Lighting for corridors and circulation areas
- Low task complexity
- Supporting wayfinding and pleasant atmosphere



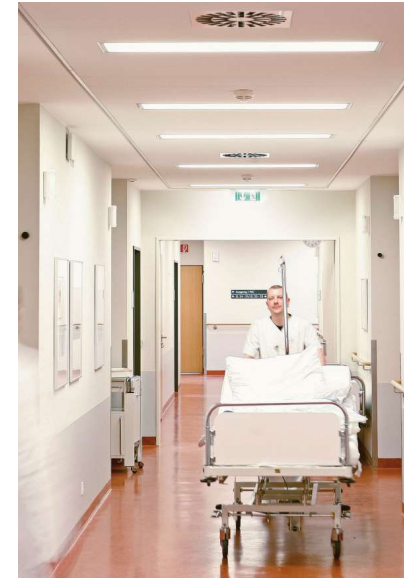
Retail

- General lighting for stores
- Check-out and cashier areas
- Wayfinding and low task complexity



Public

- Uniform, general lighting for transport/circulation zones in public buildings and airports.
- Supports wayfinding



Healthcare

- Supporting a pleasant environment in the general areas in the hospital
- Waiting rooms
- Corridors
- Circulations areas
- Reception areas

Target groups

Offices

SPECIFIERS

Key Influencer

- Defines lighting design plan and technical specification (considering application, national work regulations etc.)
- Less concern on cost, more into aesthetic



INSTALLERS

Product buyer

- Provides installation services
- Provides products via wholesalers
- Looking for cheapest products which meets lighting framework



BUILDING OWNERS

- Initiates and develops the building plan
- Budget owner and decides price limits and initial budget for lighting (only for general area if its rented to tenants)
- Overall focus on cost and increasing awareness on green buildings
- Often no or little dedicated lighting knowledge



BUILDING OPERATOR

- Only have role during maintenance/refurbishment, not for new built
- Act as mediator between building users and architects/installers
- Most of the time has role as initiator for building refurbishment, due to knowledge of building maintenance (regulations & trends)

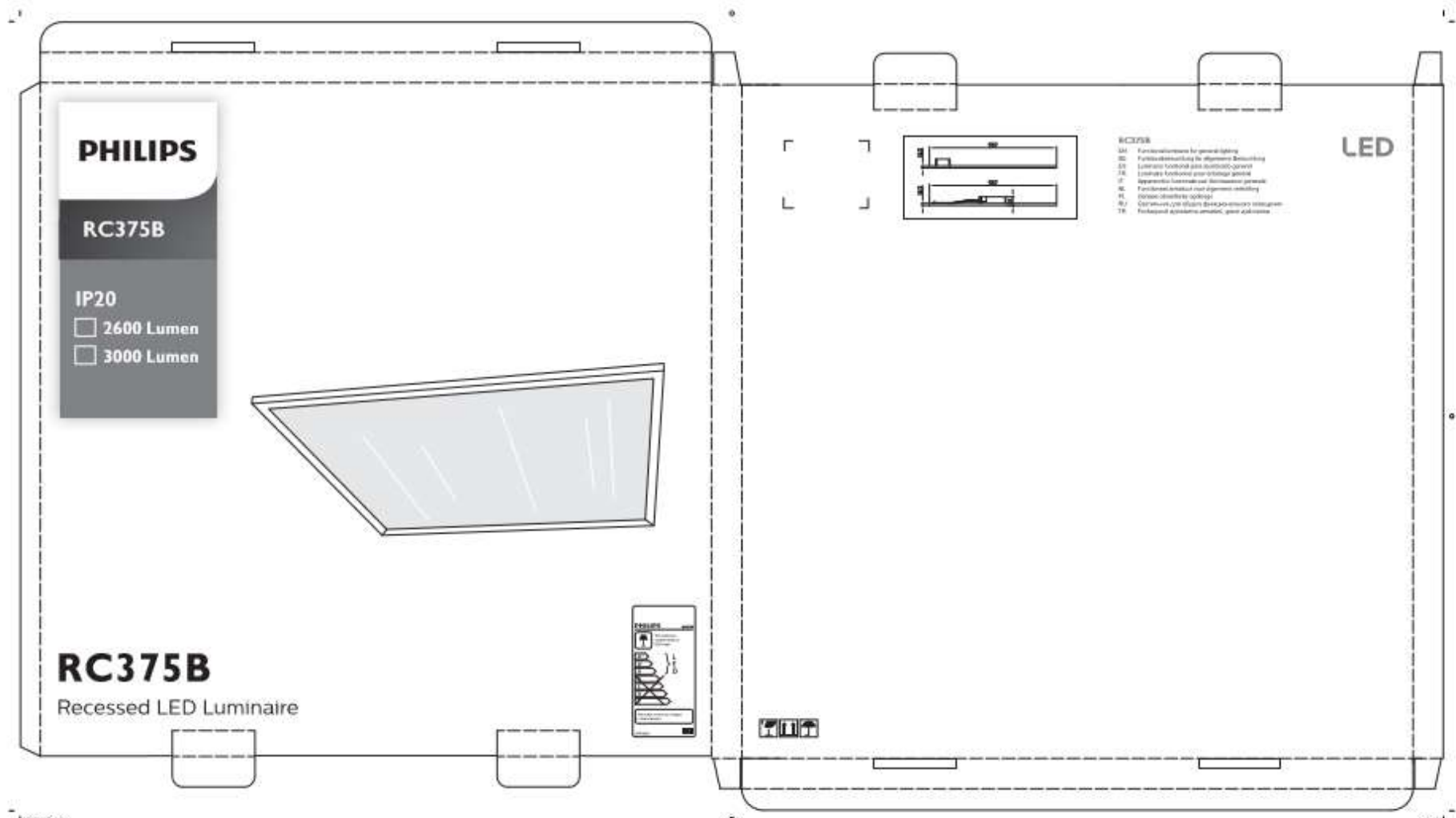


BUILDING USERS

- Budget owner and decides price limits and initial budget (for rented a
- Requests products and/or services (e.g. technical planning, installation)
- Makes final decision on product buying
- Specifies technology (sometimes/seldom: supplier / brand)



Packaging




MI Sheet


Coreline Panel


RC375B


Mounting instruction


V1.0

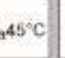




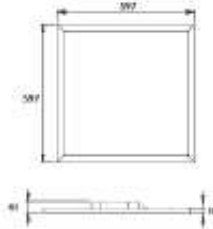









Type	Power(W)	CCT(K)	Lumen Output	Voltage	Frequency	Lock
RC375B LED3030B40 PSU/WAGLAD S1 WH1	32	4000	2600lm	140-270V~	50/60Hz	Lock
RC375B LED3030B60 PSU/WAGLAD S1 WH1	32	6500	2600lm	140-270V~	50/60Hz	Lock
RC375B LED3030B40 PSU/WAGLAD S1 WH1	37	4000	3000lm	140-270V~	50/60Hz	Lock
RC375B LED3030B60 PSU/WAGLAD S1 WH1	37	6500	3000lm	140-270V~	50/60Hz	Lock




Please do not put any pressure on the back and the driver

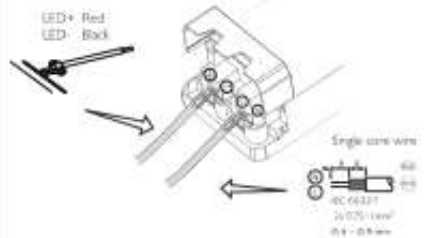


Power connection

1



2




LED+ Red
LED- Black

Single core wire
RC 60321
2x0.25/1mm²
0.4-0.8mm

The luminaire must be wire the driver attached with packing

3



Philips Lighting Luminaire (Shanghai) Co., Ltd.
Address: 3F, Building 6, No. 1805, Huai Highway, Pudong, Jading District, Shanghai, P.R. China
Phone: +86 21 31881

PHILIPS

PHILIPS

12

MI Sheet

Visible profile Ceiling Mounting (PCV)

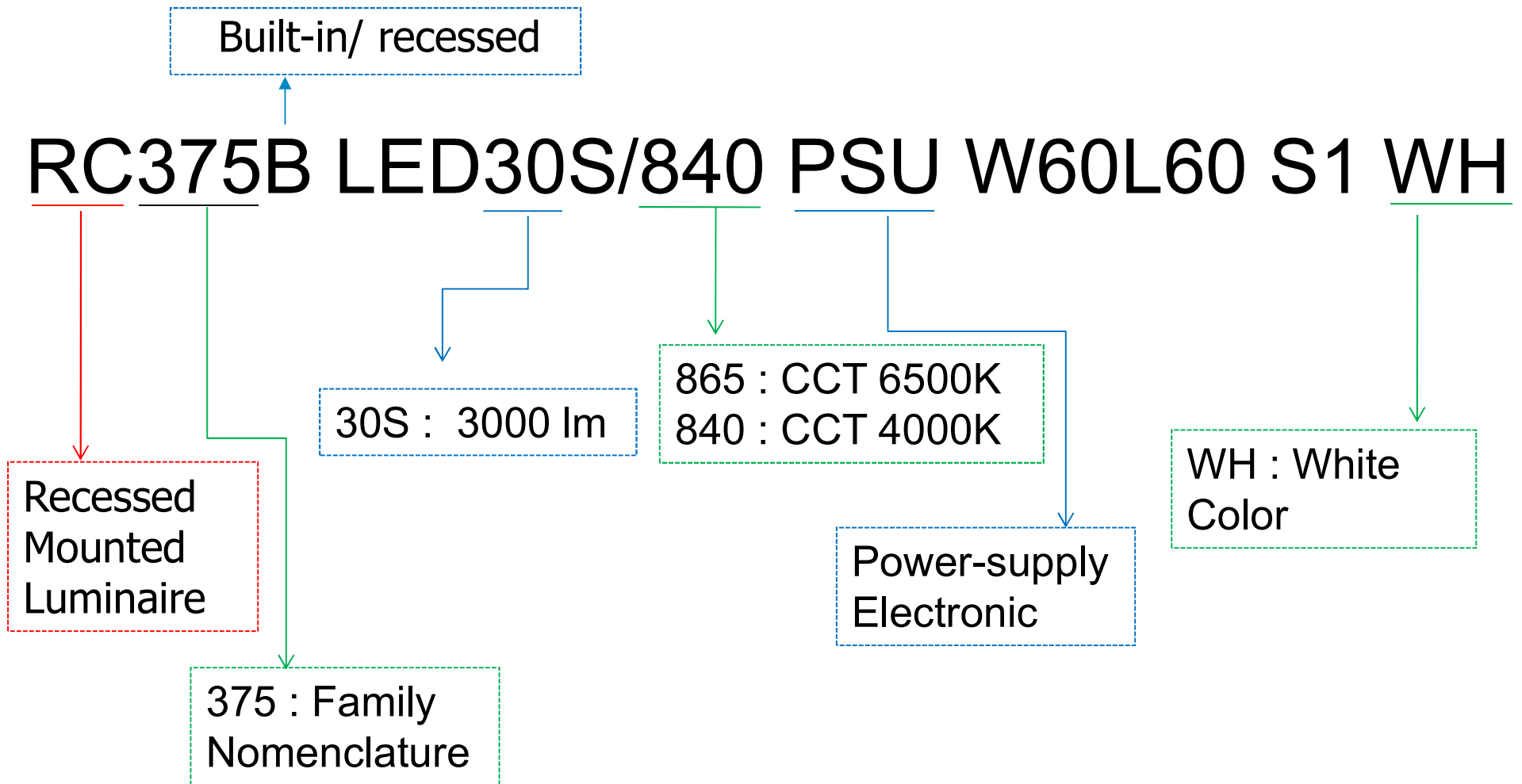
Plaster Ceiling recess Mounting (PCV)

EN

1. For indoor use only.
2. Do not switch on before installation is complete.
3. The luminaires shall be installed by a qualified electrician and wired in accordance with the latest IEE electrical regulations or the national requirements.
4. The luminaires shall not be covered with thermal insulation or similar material under any circumstances.
5. The light source of this luminaire is not replaceable: when the light source reaches its end of life the whole luminaire shall be replaced.
6. Luminaires must not be used or stored in corrosive environment where hazardous materials such as sulphur, chlorine, phosphorus, etc. are present.
7. If the external flexible cable or cord of this luminaire is damaged, it shall be exclusively replaced by the manufacturer or his service agent or a similar qualified person in order to avoid a hazard.

EN This marking indicates that this product should not be disposed with other household wastes throughout the EU. To prevent possible harm to the environment or human health from uncontrolled waste disposal, recycle it responsibly to promote the sustainable reuse of material resources. To return your used device, please use the return and collection systems or contact the retailer where the product was purchased. They can take this product for environmental safe recycling.

How to read the Cat ref



Ordering Details

S. No.	Product Description	12 NC	QTY/Box
1	RC375B LED30S/865 PSU W60L60 S1 WH	911401716172	4
2	RC375B LED30S/840 PSU W60L60 S1 WH	911401716162	4

Spare Driver is under BIS and shall be available in April 2018 . Direct Import form China

