



Smart Bright Essential  
*Aesthetically designed for superior Performance*



June 2020

# Smart Bright Essential : Aesthetic , Compact & Robust Construction



**Robust-**  
Pressure Die Cast  
Housing



**Versatile**  
Multiple Lumen Packs & CCT  
Suiting Different Applications



**Energy Efficient -**  
>100 lm/W



**Area Lighting**



**Long Life**  
Heat Sink designed for  
better Heat dissipation



**Value For Money**



# Product Specifications

Model name	BVP140	BVP141	BVP142
System Power	50W	70W	100W
System Lumen output	5000 Lm	7000 Lm	10000 Lm
CCT/ CRI	6500K/4000K/3000K & >70		
System Efficacy	100lm/w	100lm/w	100lm/w
Surge	4KV (Inbuilt)	4KV (Inbuilt)	4KV (Inbuilt)
Voltage Band	120 - 270V/ 50Hz	120 - 270V/ 50Hz	120 - 270V/ 50Hz
Power factor	>0.9	>0.9	>0.9
IP rating/ IK rating	IP65 / IK 07	IP65 / IK 07	IP65 / IK 07
Service	Class B : Replaceable Driver		



BVP140 : 50w



BVP141/142 : 70w/100w

Signify Classified - Internal

# Robust Construction... Ensured Long life



- ① Die-cast Aluminum housing
- ② Toughened Glass ensures Diffused Light and Complies IK07
- ③ High Surge Protection

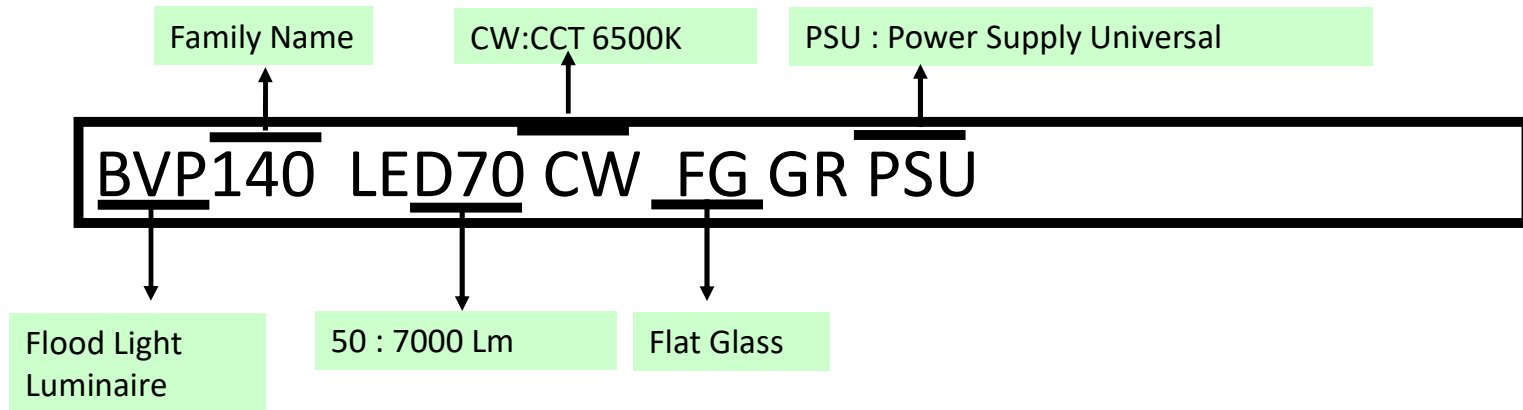


# Applications



# Ordering Codes

S No.	12 NC	Description
1	919615811430	BVP140 P LED50 CW WB S1 PSU 50W MG P4287
2	919615811431	BVP140 P LED50 NW WB S1 PSU 50W MG P4288
3	919615811432	BVP140 P LED50 WW WB S1 PSU 50W MG P4289
4	919415920001	BVP141 LED70 CW FG GR PSU
5	919415920002	BVP141 LED70 NW FG GR PSU
6	919415920003	BVP141 LED60 WW FG GR PSU
7	919415920004	BVP142 LED100 CW FG GR PSU
8	919415920005	BVP142 LED100 NW FG GR PSU
9	919415920006	BVP142 LED90 WW FG GR PSU



# Packaging Details



Signify