



Crompton Greaves Consumer  
Electricals Ltd.

# TECHNICAL DATA SHEET

FORM No. DSG/FR/08

Doc Classification:  
Restricted-4

Division:  
Lighting

Department: Design  
and Development

Document Number: TD0901284

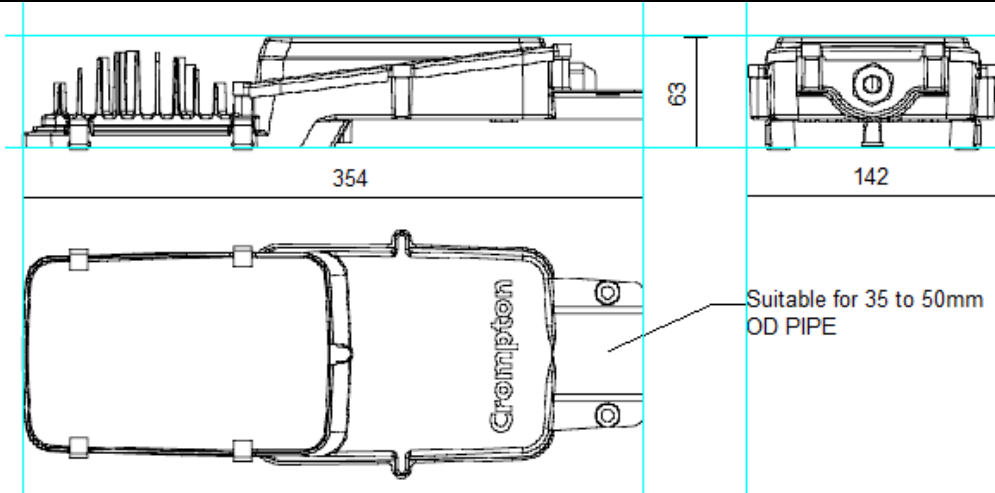
Page 1 of 3

Revision: 01

Issue No. 1

Date:18/02/2021

Issue Date:02-05-2018



DIMENSIONS SHOWN ARE FOR INSTALLATION REFERENCES ONLY AND WILL HAVE TOLERANCE  $\pm 3\text{mm}$  UNLESS OTHERWISE SPECIFIED

## GENERAL:

This streetlight luminaire comprises of Pressure die cast Aluminium housing and toughned glass. This luminaire is recommended for illuminating access roads, Garden ways, small streets etc.

PRODUCT DESCRIPTION	**NOMINAL WATTAGE (W)	CCT (K)	CRI	VOLTAGE (V)	**MAINS CURRENT (A)	*APPROX WT (KG)
TRP-409-60-57-SL-GL-NSG	60W	5700 ANSI	70	240	0.263	1.77
Efficacy > 110 LPW						

\*ONLY FOR STRUCTURAL/MOUNTING DESIGN CONSIDERATION

\*\*RATED SYSTEM WATTAGE AND CURRENT WILL HAVE TOLERANCE AS PER IS 16104: 2012

<b>Title: 60W LED STREETLIGHT</b>	<b>Type:</b>	<b>Customer Reference:</b>
<b>Product Description:</b> TRP-409-60-57-SL-GL-NSG		

<b>PREPARED BY</b> naveen.kandar	<b>CHECKED BY</b> ganesh.dhuri	<b>APPROVED BY</b> ganesh.dhuri
-------------------------------------	-----------------------------------	------------------------------------

- Note: 1 AS EFFORTS ARE ON CONSTANTLY TO IMPROVE THE DESIGN AND METHODS OF MANUFACTURE OF THE PRODUCT, THE PRODUCT SUPPLIED MAY DIFFER IN DETAIL FROM THE DATA GIVEN HERE IN
2. THIS DRAWING & DESIGN IS THE PROPERTY OF CROMPTON GREAVES CONSUMER ELECTRICALS LTD. AND MUST NOT BE COPIED OR LENT WITHOUT THEIR PERMISSION IN WRITING
3. THE "APPROVED" INDICATED THAT IT IS A CONTROL COPY
4. DIMENSION SHOWN ARE FOR INSTALLATION REFERENCE ONLY AND IN MM WITH TOLERANCE OF  $\pm 3\text{mm}$  UNLESS OTHERWISE SPECIFIED



Crompton Greaves Consumer  
Electricals Ltd.

# TECHNICAL DATA SHEET

FORM No. DSG/FR/08

Doc Classification:  
Restricted-4

Division:  
Lighting

Department: Design  
and Development

Document Number: TD0901284

Revision: 01

Date:18/02/2021

Page 2 of 3

Issue No. 1

Issue Date:02-05-2018

## MATERIAL SPECIFICATIONS:

Housing	Aluminium Die cast powder coated in RAL-7032 shade
Glass	Heat resistant toughned glass.
Internal Wiring	PVC coated multistrand wire
Cable	PVC coated multistrand cable.
Surge Arrestor	10KV,440V

## ELECTRICAL PARAMETERS:

Rated Voltage (V)	240
Frequency (Hz)	50 ±3
Operating Voltage Range (V)	120-277~
Current (A) @ 240V	0.263
Wattage (W) @240V	60
P.F.	>= 0.95
I THD	< 10%
Lumen	-

PREPARED BY  
naveen.kandar

CHECKED BY  
ganesh.dhuri

APPROVED BY  
ganesh.dhuri

Note: 1 AS EFFORTS ARE ON CONSTANTLY TO IMPROVE THE DESIGN AND METHODS OF MANUFACTURE OF THE PRODUCT, THE PRODUCT SUPPLIED MAY DIFFER IN DETAIL FROM THE DATA GIVEN HERE IN

2. THIS DRAWING & DESIGN IS THE PROPERTY OF CROMPTON GREAVES CONSUMER ELECTRICALS LTD. AND MUST NOT BE COPIED OR LENT WITHOUT THEIR PERMISSION IN WRITING

3.THE "APPROVED" INDICATED THAT IT IS A CONTROL COPY

4. DIMENSION SHOWN ARE FOR INSTALLATION REFERENCE ONLY AND IN MM WITH TOLERANCE OF +/-3mm UNLESS OTHERWISE SPECIFIED



Crompton Greaves Consumer  
Electricals Ltd.

# TECHNICAL DATA SHEET

FORM No. DSG/FR/08

Doc Classification:  
Restricted-4

Division:  
Lighting

Department: Design  
and Development

Document Number: TD0901284

Revision: 01

Date:18/02/2021

Page 3 of 3

Issue No. 1

Issue Date:02-05-2018

## INSTALLATION:

Cable Entry	Through mounting pipe.
Mounting System	Suitable for 35 to 50 mm max. O.D. mounting pipe.
Protection	IP 66

## PRODUCT ORDERING CODE:

Product Description	Ordering Code
TRP-409-60-57-SL-GL-NSG	TLR400151-A2

## SPARES ORDERING REFERENCE:

Product Description	Driver	Glass	Surge Arrestor	
TRP-409-60-57-SL-GL-NSG	2Nos. S0DVEXC4- 35W-700 OR S0DVEXC1-36W/700	S0909134	SRPSQ-10KV- 5KA-440V OR SRPSEX- 10KV-440V	

PREPARED BY  
naveen.kandar

CHECKED BY  
ganesh.dhuri

APPROVED BY  
ganesh.dhuri

Note: 1 AS EFFORTS ARE ON CONSTANTLY TO IMPROVE THE DESIGN AND METHODS OF MANUFACTURE OF THE PRODUCT, THE PRODUCT SUPPLIED MAY DIFFER IN DETAIL FROM THE DATA GIVEN HERE IN  
2. THIS DRAWING & DESIGN IS THE PROPERTY OF CROMPTON GREAVES CONSUMER ELECTRICALS LTD. AND MUST NOT BE COPIED OR LENT WITHOUT THEIR PERMISSION IN WRITING  
3. THE "APPROVED" INDICATED THAT IT IS A CONTROL COPY  
4. DIMENSION SHOWN ARE FOR INSTALLATION REFERENCE ONLY AND IN MM WITH TOLERANCE OF +/-3mm UNLESS OTHERWISE SPECIFIED