



Signify

# Tango XI LED Floodlight

A new era in smart area and recreational sports lighting

Puneet Kalia & Nitin Bahl  
Product Manager -Outdoor

# Table of contents



Trends



Meet Tango



Product specifications



How can we help you?

# Trends in area and recreational sports lighting





## Reduce

### energy consumption

Energy consumption is a key cost driver for owners and operators of area and recreational sports lighting installations.

## Improve

### operational management

Increasingly, lighting systems and services need to help improve existing workflows and operations.



## Increase

### safety, and reduce TCO

Good quality of lighting increases safety as well as the comfort of employees.

## Reduce

### CO<sub>2</sub> emissions, light pollution and create a sustainable image

With rising concerns about the environmental impact of high energy consumption, area and recreational sports lighting installations that use less power and reduce carbon emissions are in great demand.



# Signify' offer

for area and recreational sports lighting:

- Decades of experience and expertise in area and recreational sports lighting
- A rich portfolio of products, offering superb quality of light
- Wide range of systems and services
- Sustainable and future-proof solutions
- A single source partner for a totally integrated, intelligent lighting offer – from concept to completion – backed up by exceptional levels of after-sales care.

# Meet Tango XL LED



# Introducing ...Tango XL



*“Maximize energy savings,  
Simple & Economical”*

Signify Classified - Internal

# Tango XL LED

An extremely energy-efficient solution for **area and recreational sports lighting** that lets you choose the exact number of lumens you need.



1:1 retrofit / HID replacement



Outstanding energy efficiency



Designed to meet the needs of various application areas



Elegant and unobtrusive design



Efficient LED thermal design



Robust and durable



Easy to install





# Designed

to meet the needs of various  
application areas

- Ideal floodlighting solution for recreational sports facilities, industrial areas, parking lots, building facades, roundabouts and freeway junctions
- Wide choice of new optics sets ensures maximum application coverage and provides a solution for dealing with obtrusive light.
  - BVP485
    - Narrow beam
    - Asymmetrical wide beam





## Elegant and unobtrusive design

- Designed with simple and unobtrusive shapes, facilitating integration into the urban environment
- Drivers are fully integrated into each model
- One size for greater diversity of Lumen packages, **from 37K to 56K Lumen**
- LED configuration patterns suitable for a wide range of lighting solutions, taking into account compatibility with efficient optical systems to perfectly meet the required application
- Consistency in LED arrangement to further strengthen the visual aspect: sober, discreet and simple





## Robust and durable

- **IP66** level of protection against water and dust
- The **20KV/10KA** Surge Protection Device (SPD) from Philips is specifically designed for use in outdoor luminaires and delivers maximum protection for all outdoor lighting applications from excessive surge voltages due to lightning
- Exposed lens to withstand shocks; its protection rating is **IK08**
- Optional coatings available for **extra protection in harsh environments** such as salt atmospheres (harbors etc.)



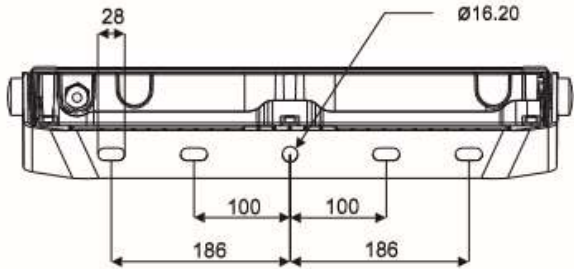
# Easy

## to install

- Easy to install and perfect for replacing conventional light-points as it uses the same electrical installation and poles
- Gear cover designs with Screws , which greatly help to reduce the installation and maintenance time, increase the working efficiency and good user experience.



universal bracket

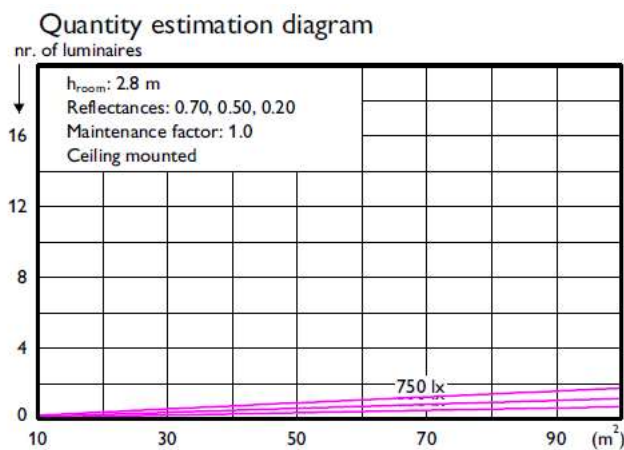
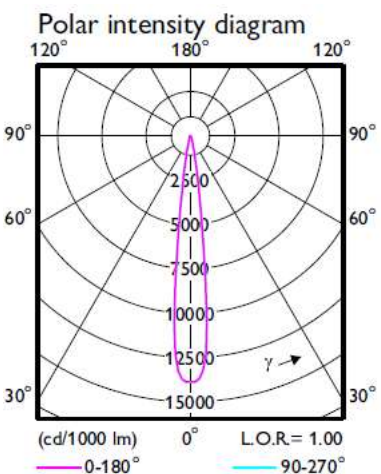
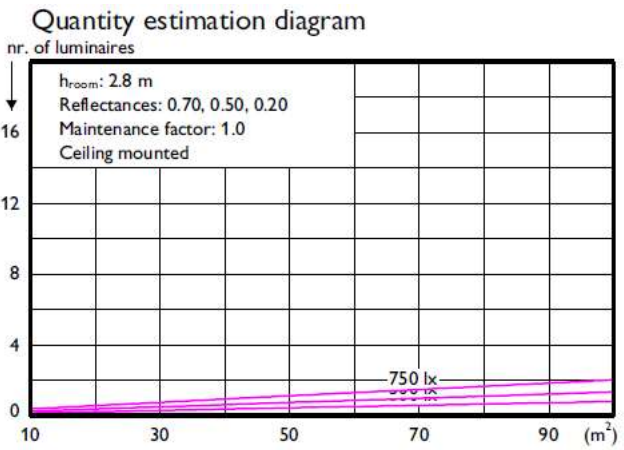
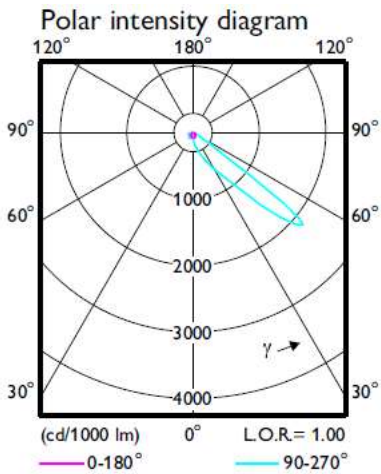


# Photometrical data-BVP485

BVP485 light distributions: 2 Optics

AWB

NB



Optic type	Comment
Asymmetrical Wide	Can consider to use in airport apron, harbor/port yard applications
Narrow	Can consider to use in harbor/port crane,

## Tango XL –BVP485 LED Floodlight

### **Optimum lighting performance**

- 300w to 470w ,Max of 56Klm, 120lm/W@5700K CRI70

### **Robust quality**

- High Pressure Die Cast aluminum material, with Integrated optics
- 500hrs NSS salt painting
- IP66(no glue)/ IK08 protection

### **Durable lifetime**

- 50 Khrs. lifetime
- Philips Xitanium LED driver and 20KV Series SPD
- High Cut @  $325 \pm 15V$  & Auto Restart
- 440V Protection for 8 Hrs. (Phase to Phase)

### **Multiple choice of control interface (ETO)**

- 1-10V / Dali
- Coded Mains, for Perfect Play system (On request)
- SR, for Interact City (City Touch) system (On Request)

### **Multiple Choice of Optics for Design Requirements**

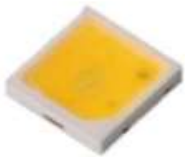
- Asymmetric Wide Beam
- Narrow Beam



## Superior quality –world class components



Pressure Die Cast Housing made from ADC12 aluminum alloy with very low copper (Cu) content



Best in class LED's from leading LED supplier to ensuring reliable quality and lifetime.



Transparent and weather resistant grade polycarbonate material for optical lenses. It can withstand extreme weather conditions and have strong resistance UV and yellowing



Highest specification Xitanium drivers and 20 KV Surge protection device to ensure continuous operation of luminaire. Additional Protections

- 440V (Phase to Phase Protection for 8 Hrs.
- High cut @  $325\pm 15V$  and auto Restart
- Future Proof Drivers (Comes with 1-10V Dimming )

# BVP485 Application Areas



**Overpass intersection**



**Container Yard**



**Recreational Sports Outdoor**



**City Square**



**Apron**



**Recreational Sports Indoor**



# Product specifications



S No.	Description	Tango XI BVP 485 Series
1	System Lumen	300W@37K Lm , 350W@42K Lm , 400W @48K Lm , 450W@54K Lm , 470W @56K Lm
2	CCT	3000L,5700K
3	CRI/ SDCM	70 , <5
4	Electrical Insulation	Class -1
5	IP/ IK	66 / 08
6	Serviceability	Class B
7	Mounting	Via U Shaped Bracket , Aiming Scale Angle , Universal Installation
8	Efficacy	120 Lm/W
9	Surge	4KV Internal and 20KV External
11	Driver	Fixed output
12	LED	High Power
13	Housing Material / Finishing	Pressure Die Cast Housing / Anti Dust Exposed Lens
14	THD	≤10% (At Full Load)
15	Serviceability	Class B
16	Optical Covers	Exposed Lens Optics : Polycarbonate
17	Wattage	300W , 350W , 400W , 450W , 470W (Nominal)
20	Optics	AWB , NB

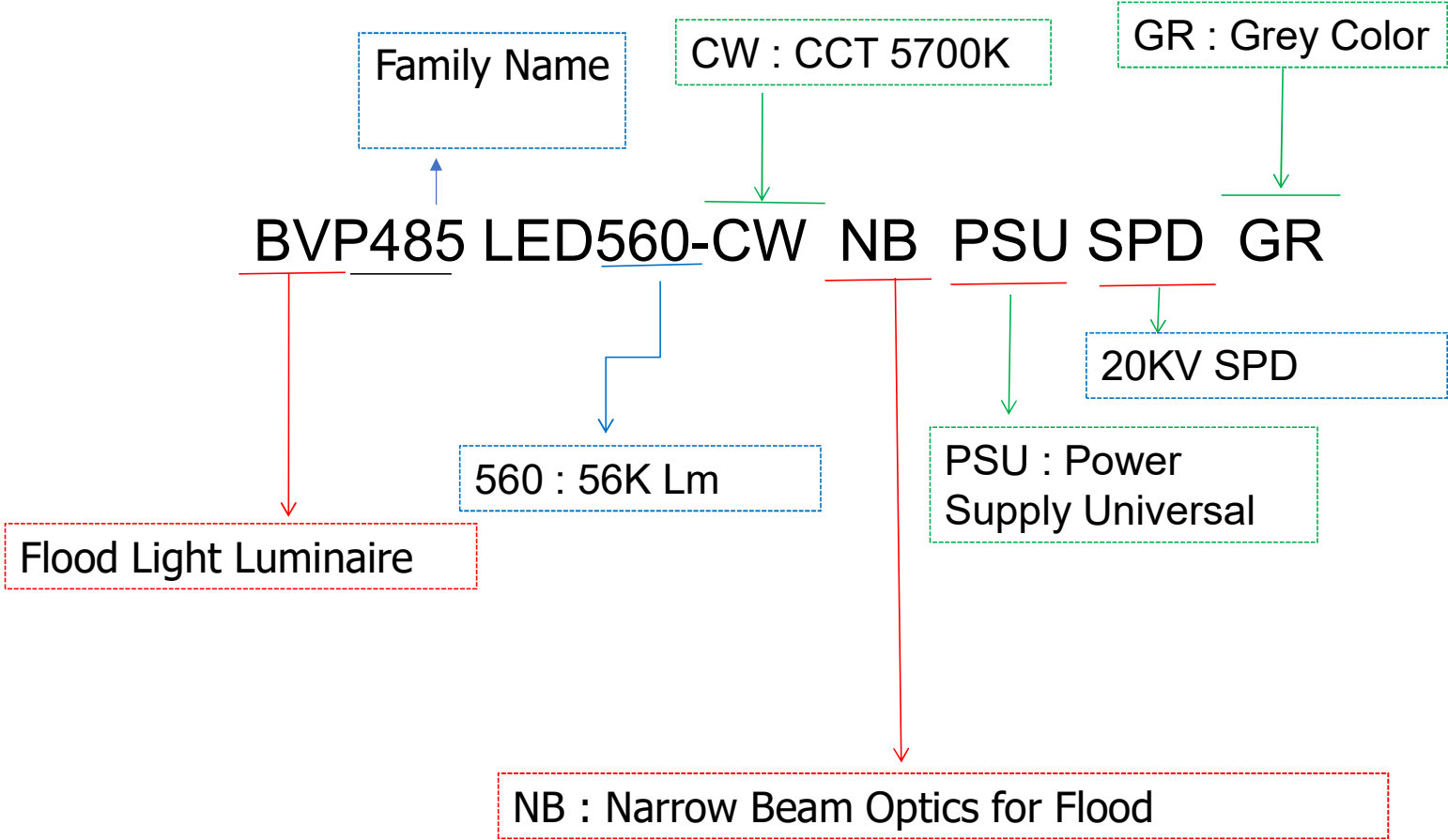
<b>S No.</b>	<b>Description</b>	<b>Tango XL BVP 485 Series</b>
<b>23</b>	<b>Life</b>	<b>L70B50 @ 50K Hrs.@ 35 Degree Ambient</b>
<b>24</b>	<b>Approbation</b>	<b>BIS</b>
<b>25</b>	<b>Control</b>	<b>1-10V , SR (On Request)</b>
<b>26</b>	<b>Options</b>	<b>Other Lumen packs available on Request</b>
<b>27</b>		<b>Other RAL shades available on request</b>
<b>28</b>		<b>Corrosion resistant Paint available on Request</b>
<b>29</b>	<b>Weight</b>	<b>12 KG</b>
<b>30</b>	<b>Tambient</b>	<b>35 Degrees</b>
<b>31</b>	<b>Driver Protections</b>	<b>440V (P2P)Protection for 8 Hrs., High cut off @ 325±15V</b>
<b>32</b>		<b>Auto Restart</b>
	<b>Dimensions/Weight</b>	<b>L-593mm , W-100mm , H-418-mm , 12 Kg(Nominal)</b>
<b>33</b>	<b>Operating Voltage</b>	<b>120-277V</b>

## Ordering Codes

S No.	12 NC	Description	Qty per Box	Spare Driver 12 NC
1	919515813805	BVP485 LED560 CW NB PSU SPD GR	1	929002104806
2	919515813807	BVP485 LED540 CW NB PSU SPD GR	1	929002104806
3	919515813809	BVP485 LED485 CW NB PSU SPD GR	1	929002104806
4	919515813811	BVP485 LED427 CW NB PSU SPD GR	1	929002104806
5	919515813813	BVP485 LED370 CW NB PSU SPD GR	1	929001467306
6	919515813825	BVP485 LED520 WW NB PSU SPD GR	1	929002104806
7	919515813827	BVP485 LED500 WW NB PSU SPD GR	1	929002104806
8	919515813829	BVP485 LED450 WW NB PSU SPD GR	1	929002104806
9	919515813831	BVP485 LED400 WW NB PSU SPD GR	1	929002104806
10	919515813833	BVP485 LED345 WW NB PSU SPD GR	1	929001467306
11	919515813806	BVP485 LED560 CW AWB PSU SPD GR	1	929002104806
12	919515813808	BVP485 LED540 CW AWB PSU SPD GR	1	929002104806
13	919515813810	BVP485 LED485 CW AWB PSU SPD GR	1	929002104806

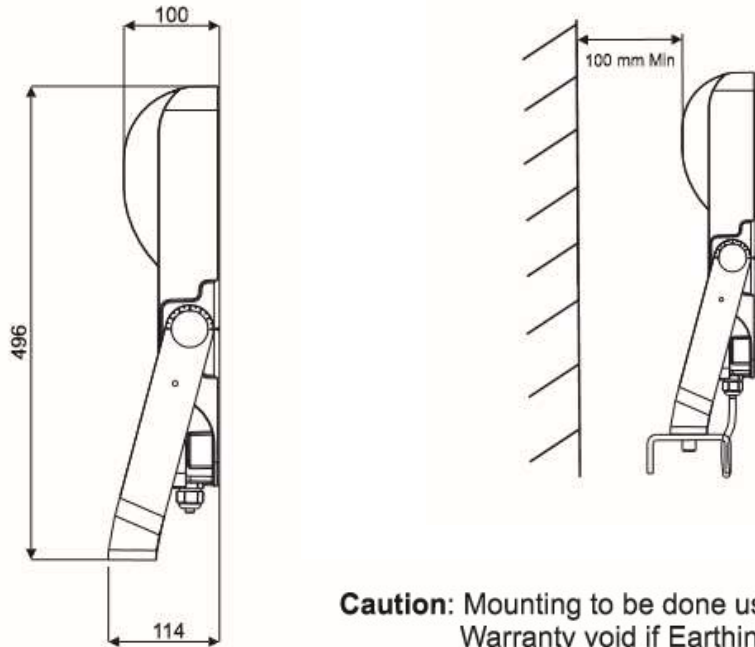
## Ordering Codes

S No.	12 NC	Description	Qty per Box	Spare Driver 12 NC
<b>14</b>	919515813812	BVP485 LED427 CW AWB PSU SPD GR	<b>1</b>	929002104806
<b>15</b>	919515813814	BVP485 LED370 CW AWB PSU SPD GR	<b>1</b>	929001467306
<b>16</b>	919515813826	BVP485 LED520 WW AWB PSU SPD GR	<b>1</b>	929002104806
<b>17</b>	919515813828	BVP485 LED500 WW AWB PSU SPD GR	<b>1</b>	929002104806
<b>18</b>	919515813830	BVP485 LED450 WW AWB PSU SPD GR	<b>1</b>	929002104806
<b>19</b>	919515813832	BVP485 LED400 WW AWB PSU SPD GR	<b>1</b>	929002104806
<b>20</b>	919515813834	BVP485 LED345 WW AWB PSU SPD GR	<b>1</b>	929001467306

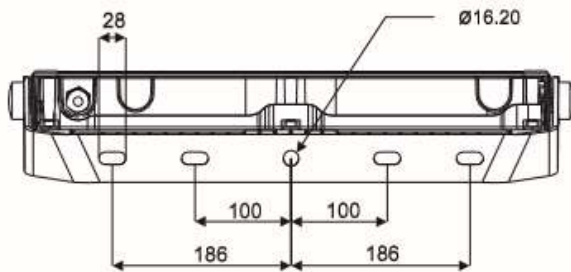


How to read the Cat ref

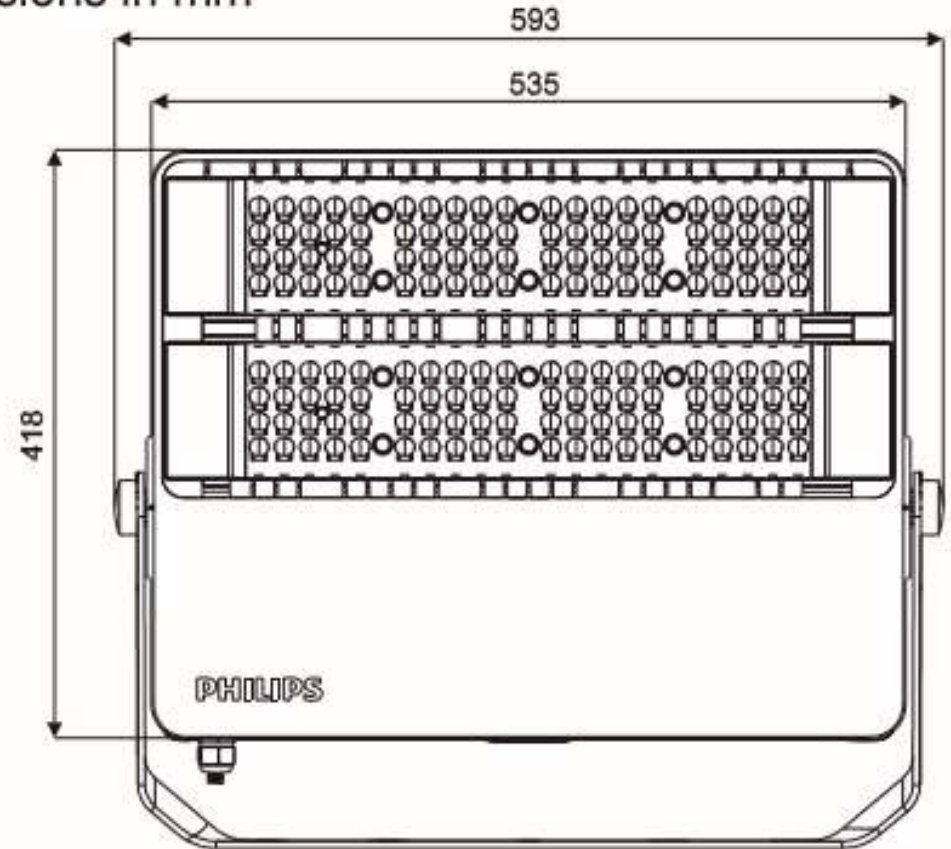
# Dimensions



**Caution:** Mounting to be done using M12 Bolts(3x).  
Warranty void if Earthing is not connected.



## Dimensions in mm



# A lighting service that fits your business needs



## **Advisory services**

Clear insight into your current lighting system, how it can be improved, and the benefits you would gain



## **Project services**

Design, control and coordination activities necessary to take a lighting solution from the drawing board to reality



## **Lifecycle services**

Variety of project after-care contracts that cover all aspects necessary to guarantee long-lasting, hassle-free performance



## **Lighting capital**

This enables you to acquire a state-of-the-art, business enhancing solution immediately – with little to no upfront capital investment required

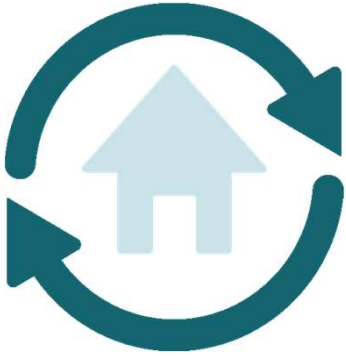


# We listen to

and understand your needs



Global presence and local experience delivering multi-tiered support



One-stop shop: solutions and services across the lighting value chain



World-class innovation capabilities and deep application and system expertise



Proven record of quality and reliability – no unpleasant surprises



Illuminating the future

Signify