



Signify

TownGlow Illuminating with Style

Puneet Kalia /Megha Soni/ Nitin Bahl
Product Marketeer -Outdoor

Meet TownGlow



Table of contents



Trends



Signify's Offer



Product specifications



How can we help you?

Trends in City Beautification





Urban and Residential Street



Bridges



Squares and Pedestrian Ways



Railways and Motorways



Bike and Pedestrian ways

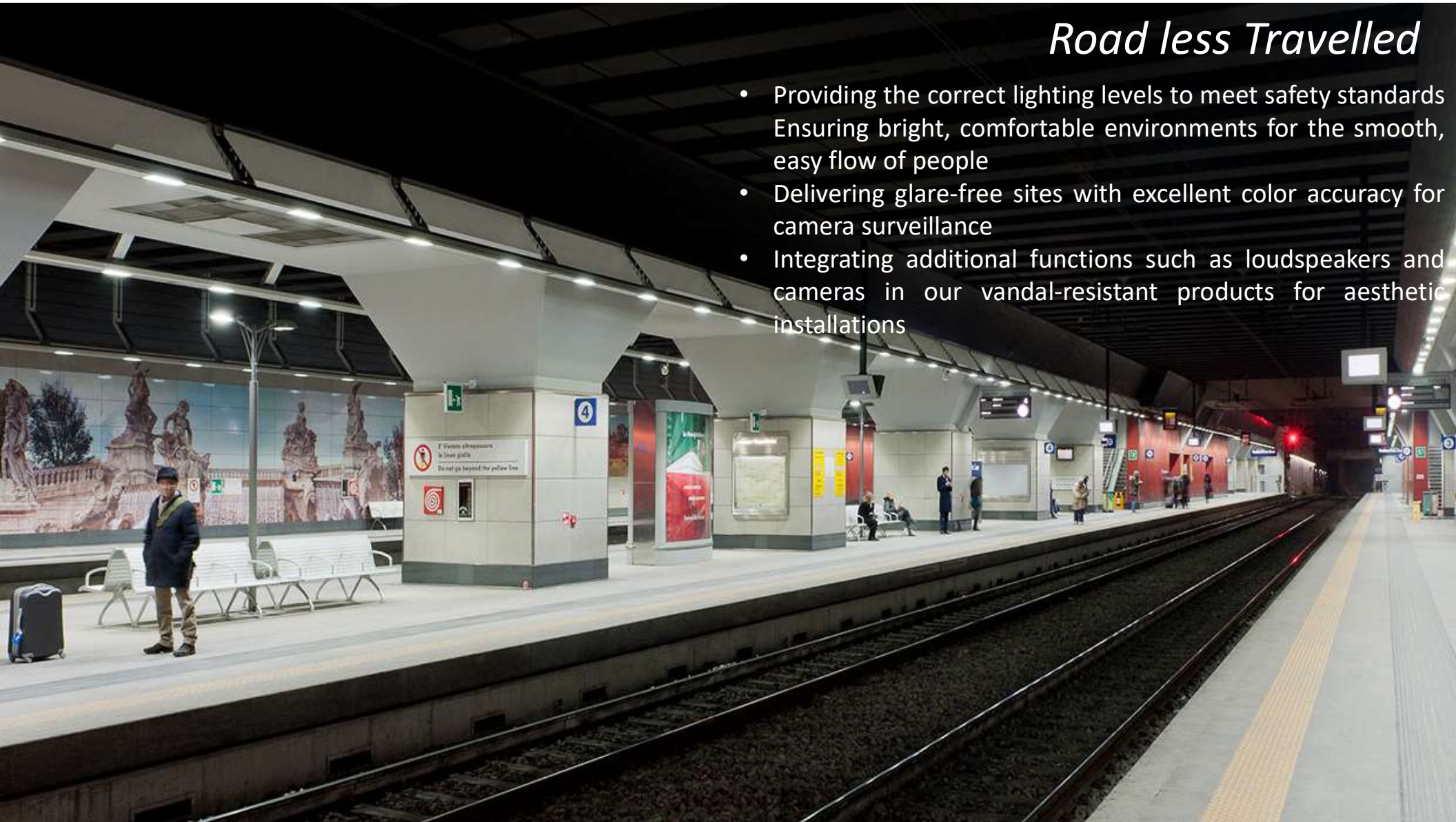
Urban and residential streets must create public realms that let people interact with each other and the environment. Make your streets better places to live, work and play with well-designed night-time lighting.

Key Trends

- ❖ Road safety and street security
- ❖ Night- time economy
- ❖ Quality environment
- ❖ Reduction of carbon footprint

Road less Travelled

- Providing the correct lighting levels to meet safety standards
Ensuring bright, comfortable environments for the smooth, easy flow of people
- Delivering glare-free sites with excellent color accuracy for camera surveillance
- Integrating additional functions such as loudspeakers and cameras in our vandal-resistant products for aesthetic installations



Signify Classified - Internal

Introducing ...TownGlow



“Timeless Elegance”



Signify' offer

for City Beautification

- Exquisite, stylish yet classic design to beautify your space
- State- of-the-art LEDs and drivers ensure better lighting performance and reliability
- Comfort and safety for urban
- Future-oriented

From Classic to Modern

- ❖ Perfect homogeneous lighting without any shadows cast.
- ❖ Glare free effect with excellent visual comfort
- ❖ Professional design to ensure reliability
- ❖ A sustainable and future proof choice



Best-in-class Lens Design & Optics Integration

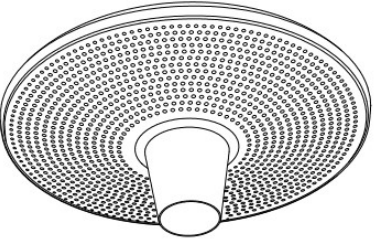
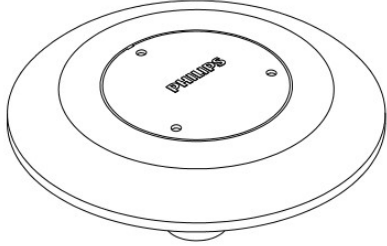
Energy efficient
It comes with High Performance LEDs

Die Cast Aluminum body
Light ,Durable & Impact resistant

Colors Options
Available in Cool White(5700K),
Neutral white(4000K) &
Warm White(3000K)

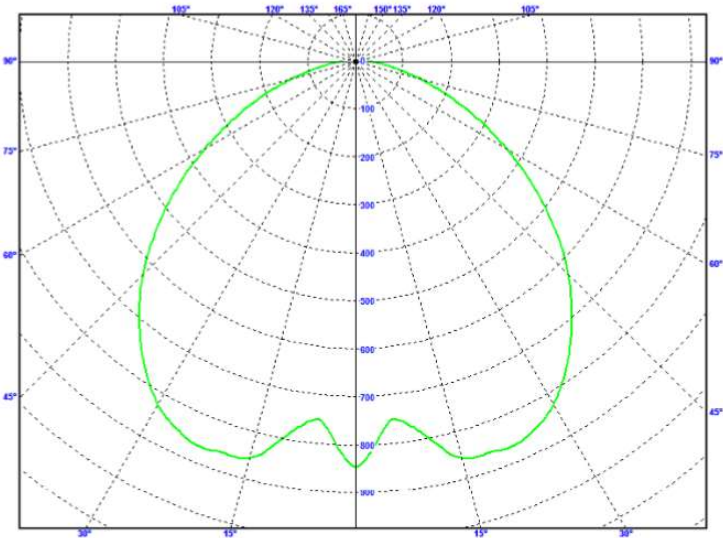


UV resistant Semi-Transparent Diffuser
Integrates well with the landscape
With Dimple effects for uniform lighting
Best in aesthetics

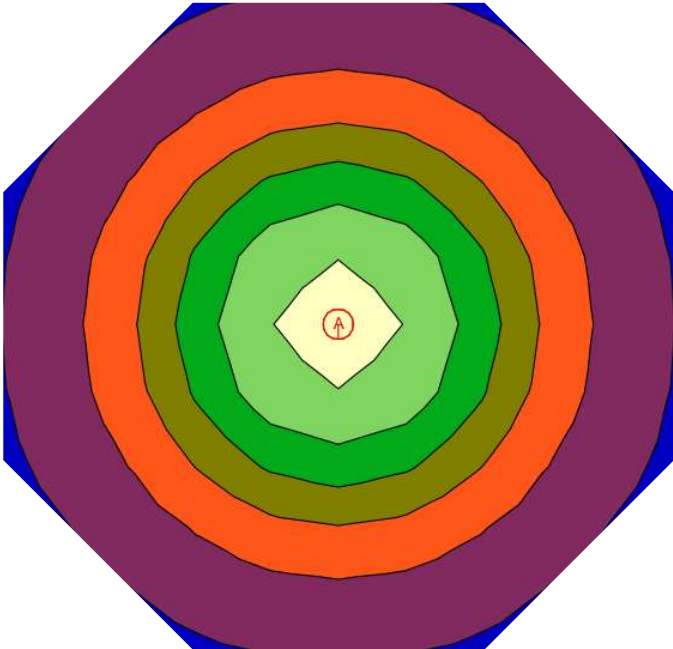


Photometrical data-BGP300

Polar / Cartesian Intensity Diagram



Reference product : BGP300 LED50 757
Efficiency : >110 lm/W



Average lighting level~20 lux @4mtrs Pole height
Wattage considered : 35W 4000K

TOWNGLOW: LED POST TOP

Optimum lighting performance

- max. 45W, 5K lumens, >110lm/W@5700K CRI70

Robust quality

- High Pressure Die Cast aluminum material, with Integrated optics
- IP66(no glue)/ IK08 protection

Durable lifetime

- Philips LED driver and 10KV Series SPD

Multiple Choice of CCTs for Design Requirements

- 5700K,4000K and 3000K

Steady Optics

- Polycarbonate cover with Crystal like optics



Product specifications



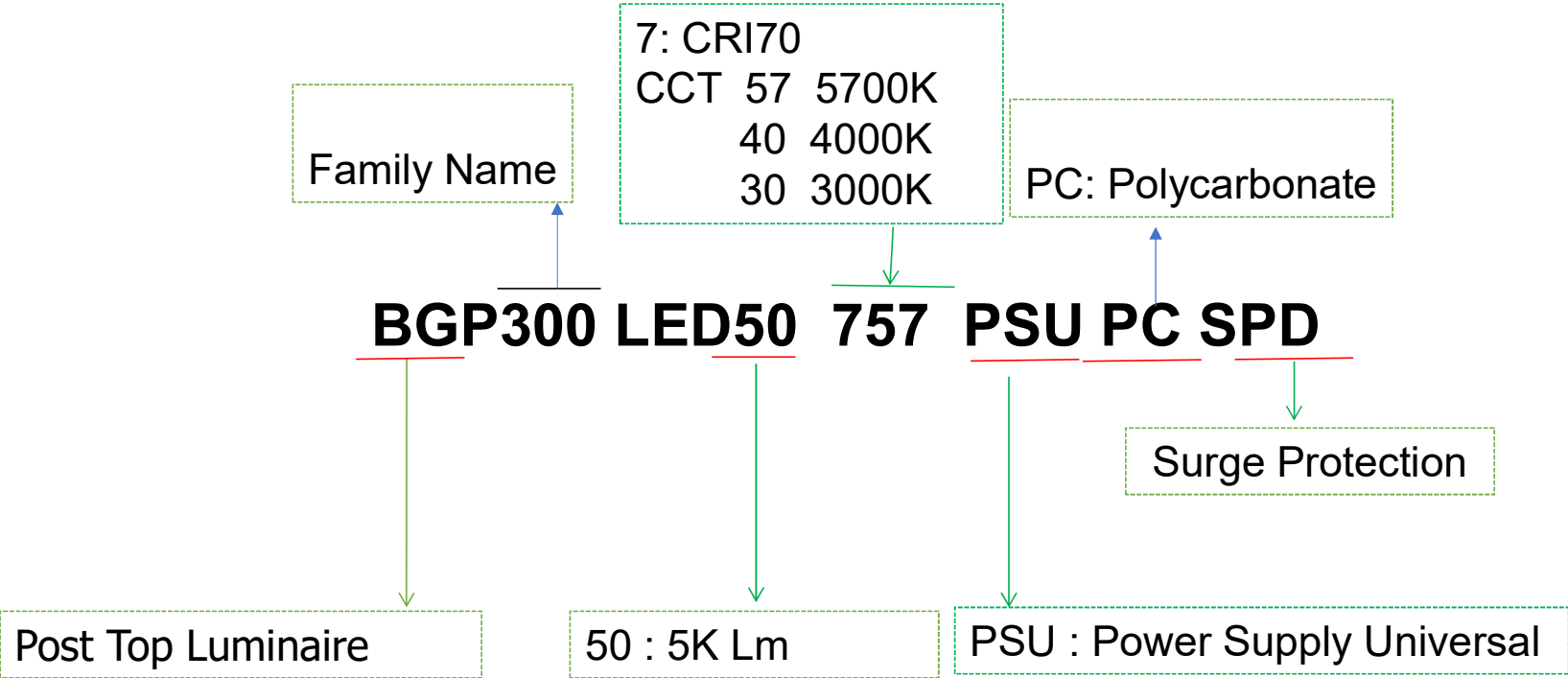
S No.	Description	TownGlow BGP300
1	System Lumen	25W@110lm/W,35W@115lm/W,45W@110lm/W
2	CCT	5700K ,4000K,3000K
3	CRI/ SDCM	70 , <5
4	Electrical Insulation	Class - 1
5	IP/ IK	66 / 10
6	Serviceability	Class B
7	Efficacy	>110 lm/W
8	Driver specs	120-277V, Surge 4KV, Auto Restart, High Cut off (>325 V), Auto Restart, THD < 10% at full load
9	Dimensions/Weight	Dia. 450mm , 4 Kg(Nominal)
10	Housing Material / Finishing	Pressure Die Cast Housing / UV protected diffuser
11	Optical Covers	Optics : Polycarbonate diffuser
12	Mounting	On the Pole (Dia. 60mm)
13	Approbation	BIS
14	Control	1-10V (on request)



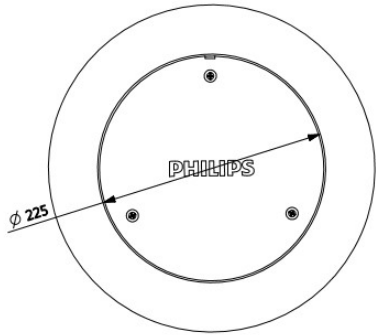
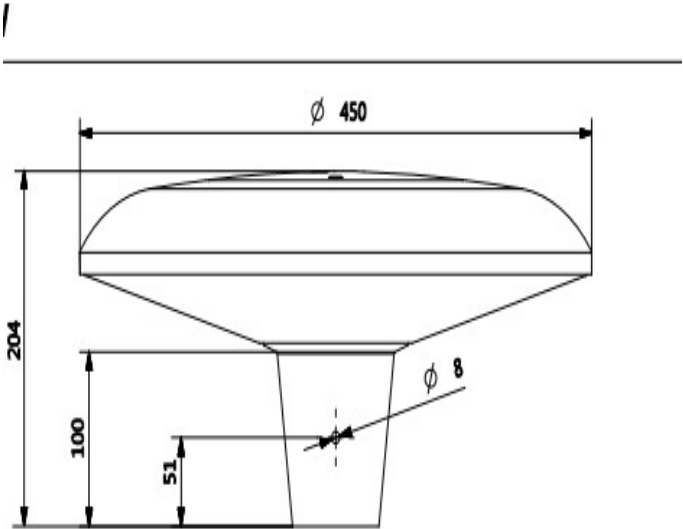
Ordering Codes

12NC	Updated Type Name	Qty. Per Box	Spare 12 NC
919515814025	BGP300 LED28 757 PSU PC IN S1	1	919415811188
919515814026	BGP300 LED28 740 PSU PC IN S1	1	919415811188
919515814027	BGP300 LED26 730 PSU PC IN S1	1	919415811188
919515814028	BGP300 LED40 757 PSU PC IN S1	1	919415811187
919515814029	BGP300 LED40 740 PSU PC IN S1	1	919415811187
919515814030	BGP300 LED37 730 PSU PC IN S1	1	919415811187
919515814031	BGP300 LED50 757 PSU PC IN S1	1	919415811187
919515814032	BGP300 LED50 740 PSU PC IN S1	1	919415811187
919515814033	BGP300 LED47 730 PSU PC IN S1	1	919415811187
919515814034	BGP300 LED28 757 PSU PC SPD IN S1	1	919415811188
919515814035	BGP300 LED28 740 PSU PC SPD IN S1	1	919415811188
919515814036	BGP300 LED26 730 PSU PC SPD IN S1	1	919415811188
919515814037	BGP300 LED40 757 PSU PC SPD IN S1	1	919415811187
919515814038	BGP300 LED40 740 PSU PC SPD IN S1	1	919415811187
919515814039	BGP300 LED37 730 PSU PC SPD IN S1	1	919415811187
919515814040	BGP300 LED50 757 PSU PC SPD IN S1	1	919415811187
919515814041	BGP300 LED50 740 PSU PC SPD IN S1	1	919415811187
919515814042	BGP300 LED47 730 PSU PC SPD IN S1	1	919415811187

How to read the Cat ref/ Options



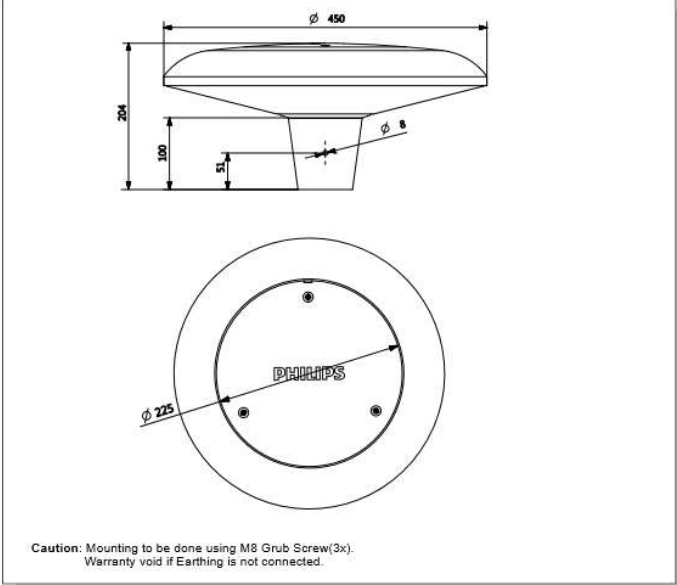
Dimensions & Mounting Instruction



Caution: Mounting to be done using M8 Grub Screw(3x).
Warranty void if Earthing is not connected.

Installation Instruction

TOWN GLOW Outdoor Luminaire



Caution: Mounting to be done using M8 Grub Screw(3x).
Warranty void if Earthing is not connected.

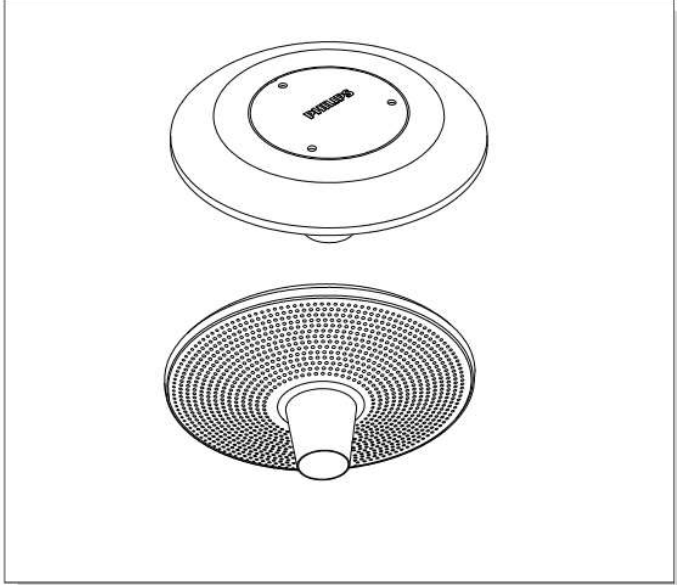
CAUTION

1. Ensure Earthing is connected in right manner.
2. Cable Entry gland should be properly tightened.
3. Product should be operated between 120-270V A.C.
4. Use Surge protection (upto 10kV) to protect against surges/Use Type B+C surge type SPD in distribution box to arrest switching and lighting surges.
5. The light source of this luminaire is not replaceable, when the light source reaches its end of life the whole luminaire shall be replaced.
6. Carefully re-install all seals and gaskets when servicing the luminaire.

FAILURE OF PRODUCT DUE TO NON COMPLIANCE TO ANY OF THE ABOVE, VOIDS WARRANTY

Installation Instruction

TOWN GLOW Outdoor Luminaire



4415 106 25790

Type	: BGP300
Lamp	: LED
Voltage	: 240 V, 50 Hz
IP Classification	: IP 66
Net Weight	: 4 kg Approx
Max. Projected Area	: 0.16 m ²
CCT	: 5700 K, 4000K, 3000 K
Application	: Outdoor only

IP-66

IK-10

ta
35°

⏏

A lighting service that fits your business needs



Advisory services

Clear insight into your current lighting system, how it can be improved, and the benefits you would gain



Project services

Design, control and coordination activities necessary to take a lighting solution from the drawing board to reality



Lifecycle services

Variety of project after-care contracts that cover all aspects necessary to guarantee long-lasting, hassle-free performance



Lighting capital

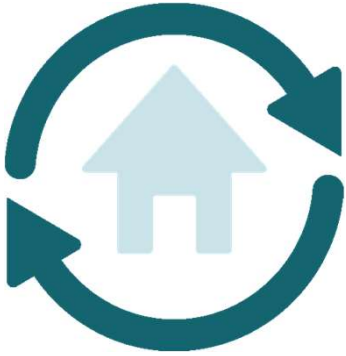
This enables you to acquire a state-of-the-art, business enhancing solution immediately – with little to no upfront capital investment required

We listen to

and understand your needs



Global presence and local experience delivering multi-tiered support



One-stop shop: solutions and services across the lighting value chain



World-class innovation capabilities and deep application and system expertise



Proven record of quality and reliability – no unpleasant surprises

Signify